

SPRINT **ELECTRIC**



PL/X

Quick
Start
Guide

Kurz-
anleitung

Guía de
inicio
rápido

Guide de
démarrage
rapide

Guida
rapida



WORLD CLASS DESIGN

www.sprint-electric.com

ENGLISH	02
DEUTSCHE	15
ESPAÑOL	28
FRANÇAIS	41
ITALIANO	55

1 Introduction

This Quick Start Guide is intended as a supplement to the PL/X Product Manual, to allow you to quickly get your PL/X Drive up and running as a basic speed controller in a safe and efficient manner.

For any other application, please refer to the PL/X Product Manual.

2 Important safety notes

Drives and process control systems are a very important part of creating better quality and value in products, but they must be designed, installed and used with great care to ensure everyone's safety. Pay particular attention to all the safety warnings in this section.



Electric shock risk! Electrical devices constitute a safety hazard. It is the responsibility of the user to ensure compliance with any acts or bylaws in force.



Do not attempt to commission the PL/X unless you:

- are qualified, and have the knowledge and skills to use it safely.
- thoroughly understand the operation of the machine on which the PL/X is installed,
- have read and understood this document, and
- are familiar with electrical wiring and safety standards.



Only use qualified personnel to design, construct, operate and maintain your systems.



Make sure that all personnel who use or maintain the equipment are aware of all the hazards that are involved in your equipment and processes.

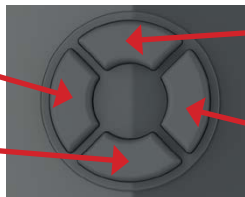


If you have any doubts about the safety of your system or process, do not proceed without first consulting an expert.

3 Navigating the menus

Left button - L

Down button - D



Up button - U

Right button - R

Figure 3-1: Navigation button

Use the buttons on the front of the PL/X to navigate through the setup menus. In this Quick Start Guide, the button sequences are listed next to the display that will be shown when the buttons are pressed correctly.

Button abbreviations:

- L** Press the **Left** button once
- U** Press the **Up** button once
- U/D** Press the **Up** button to increase the value.
Press the **Down** button to decrease the value.
- Nx** Press the relevant button N times. This applies to all buttons. N specifies the number of times to press the button e.g. for **5xL**, press the **Left** button 5 times.
- R** Press the **Right** button once
- D** Press the **Down** button once

3.1.1 Diagnostic Summary Screens

The Diagnostic Summary Screens are displayed at power up.

SPD%	Iarm	Ifld	RJSC		SRef	Ilim	-Ilim	Mode
0	0	0	0000		0	150	-150	STOP

Note: When the display is at the top level, it toggles between the Diagnostic Summaries approximately every 5 seconds.

Press the Left key at least 5 times (**5xL**) to return to these screens from any menu level.

3.1.2 Save parameters

To save the settings at any time, go first to the Diagnostic Screens (section 3.1.1), then press the **Right (R)** button, **Up (U)** button and **Right (R)** button to display the Parameter Save screen. This sequence is shown as **R-U-R**:

R-U-R








Press the **Up (U)** button to continue.

When the save is finished, press the Left button twice (**2xL**).

4 Installation

4.1.2 Connect the drive

-  Before starting to connect the drive, make sure that all power is OFF.
-  Make sure that power and control wiring are routed in separate conduit / cable trays and that wiring meets all applicable national and local electrical regulations.
-  Make sure that the voltages on the EL1/EL2/EL3 terminals are in-phase with the voltages on L1/L2/L3.
-  For reliable operation, the PL/X must control the main contactor through its CON1 and CON2 terminals.
-  Drive ratings of 185kW and higher (frame sizes 3, 4 & 5) require an external power connection for the heatsink cooling fan.

Use the following diagrams to connect your drive.

4.1.1 Frame 1

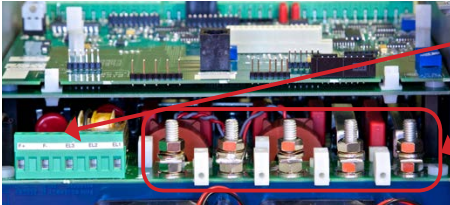


Figure 4-1: Top connections - Frame 1

Field (F+ and F-) and EL1, EL2, EL3 supply terminals

Busbar connections for input ac power (L1, L2, L3) and armature (A+ and A-)

Note: These terminals are common for all PL/X models.

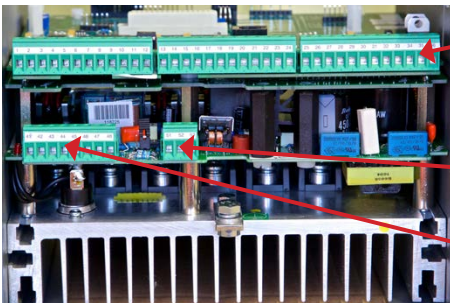


Figure 4-2: Bottom connections - Frame 1

Control terminals 1 - 36

Note: These terminals are common for all PL/X models.

Control power supply (L, N, E):
Terminals 51 (E), 52 (N) and 53 (L)

Terminals 41 - 48 for contactor control and remote armature sensing

4.1.2 Frame 2

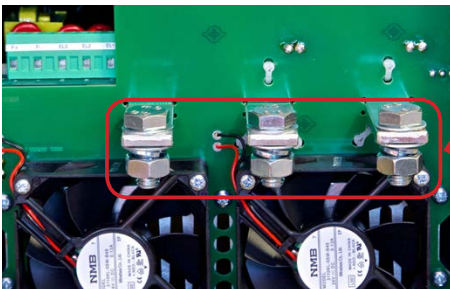
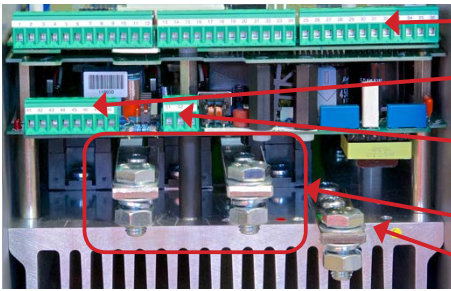


Figure 4-3: Top connections - Frame 2

Note: Field (F+ and F-) and EL1, EL2, EL3 supply terminals are as Frame 1

Input ac busbars (L1, L2, L3)

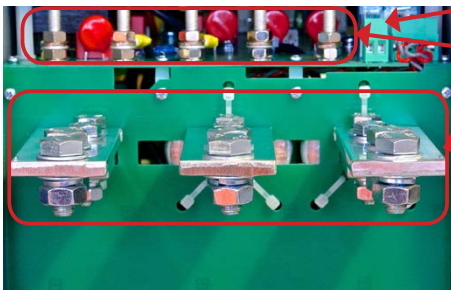
Note: The motor armature connections (A+, A-) are located at the bottom of the unit (Figure 4.4).



- Control terminals 1 - 36
- Terminals 41 - 48 for contactor control and remote armature sensing
- Control power supply (L, N, E): Terminals 51 (E), 52 (N) and 53 (L)
- Armature (A+ and A-) terminals
- Earth/Ground

Figure 4-4: Bottom connections - Frame 2

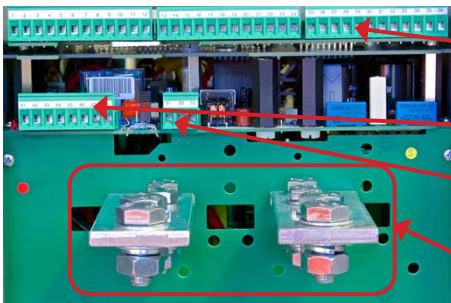
4.1.3 Frame 3



- 110Vac external fan supply (B1, B2)
- Field (F+ and F-) and EL1, EL2, EL3 supply terminals
- Input ac busbars (L1, L2, L3)

Note: The motor armature connections (A+, A-) are located at the bottom of the unit (Figure 4 6).

Figure 4-5: Top connections - Frame 3



- Control terminals 1 - 36
- Terminals 41 - 48 for contactor control and remote armature sensing
- Control power supply (L, N, E): Terminals 51 (E), 52 (N) and 53 (L)
- Armature (A+ and A-) terminals

Figure 4-6: Bottom connections - Frame 3

4.1.4 Frame 4

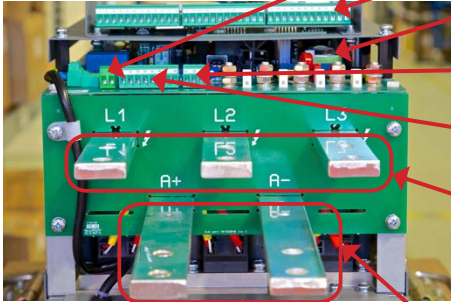


Figure 4-7:
Bottom connections - Frame 4

- 240Vac external fan supply (B1, B2)
- Control terminals 1 - 36
- EL1, EL2, EL3 and Field (F+ and F-) supply terminals
- Control power supply (L, N, E): terminals 51 (E), 52 (N) and 53 (L)
- Terminals 41 - 48 for contactor control and remote armature sensing
- Busbar connections for input ac power (L1, L2, L3)

Note: L1, L2, L3 can be located at either top or bottom of the unit, depending on your original purchase requirements.

Armature (A+ and A-) terminals

4.1.5 Frame 5

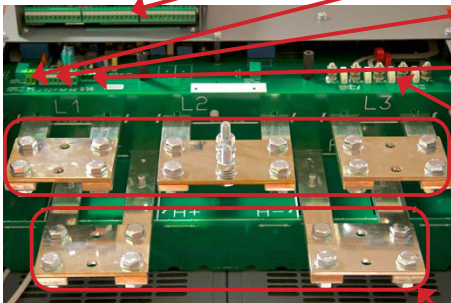


Figure 4-8:
Bottom connections - Frame 5

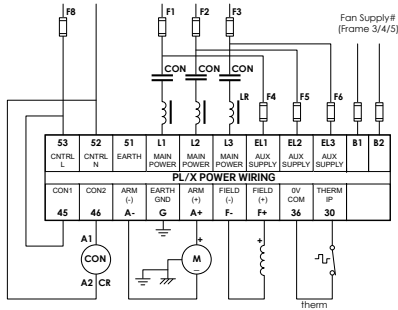
- Control terminals 1 - 36
- 240Vac external fan supply (B1, B2)
- Terminals 41 - 48 for contactor control and remote armature sensing
- Control power supply (L, N, E): terminals 51 (E), 52 (N) and 53 (L)
- EL1, EL2, EL3 and Field (F+ and F-) supply terminals
- Busbar connections for input ac power (L1, L2, L3)

Note: L1, L2, L3 can be located at either top or bottom of the unit, depending on your original purchase requirements.

Armature (A+ and A-) terminals

4.1.6 Wiring diagrams

Power



Note: See Product Manual for fuse specifications.

The power input terminals are located at the top of the PL/X*, with the power output terminals at the bottom of the PL/X (except for Frame 1 model).

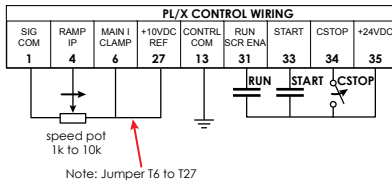
Note: If a thermistor is not fitted to the motor, short together terminals 30 and 36.

* Power input terminals located at top or bottom for frame 4 & 5.

Frame 3 models require a 110Vac fan supply. Frame 4 & 5 models require a 240Vac fan supply.

Figure 4-9: Power wiring diagram

Control



The control terminals are located at the bottom of the PL/X.

Figure 4-10: Control wiring diagram

4.1.7 Control terminal functions

Note: All contacts are maintained type.

CSTOP Coast Stop

This must be closed before all other control signals for correct sequencing. When opened, the drive immediately stops generating armature current and the contactor drops out. The motor coasts to a stop.

RUN Run

Electronic inhibit for all operation modes. May be connected to terminal T35 with a jumper in most applications or preferably an auxiliary normally open contact on the main contactor. When closed, the drive may generate current. If open, no armature current will be generated.

START Start

When closed the drive's contactor comes in and the motor runs at potentiometer speed setting. When opened, the drive ramps to zero and the contactor opens after a delay (default 2 secs).

Note: As programmed from the factory, after removal of the START input, the motor field current is present until the field quench delay is completed (default 10 seconds).

4.1.8 Optional feedback devices

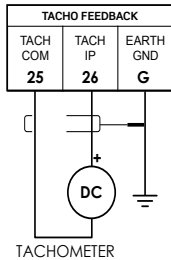


Figure 4-11: DC tachometer

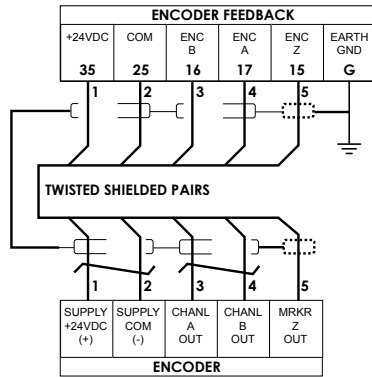


Figure 4-12: Encoder

4.2 Note the supply and motor data

Measure the supply voltage and enter it below.

Make a note of all the other parameters from the motor and feedback device nameplates.

Description	Typical value	Actual value	Units
Supply voltage	480		Vac
Armature volts	500		Vdc
Armature current	35		Adc
Base speed	1750		rpm
Maximum speed	2300		rpm
Field volts	300		Vdc
Field current @ BS	1.35		Adc
Field current @ MS	0.8		Adc
Feedback device:			
DC tachometer	60		V/1000
Encoder	1024		PPR
Encoder volts	5 – 24		Vdc

4.3 Final checks BEFORE applying power

- Recheck all wiring, especially the drive's chassis ground.
- Use a multimeter to check the L1, L2, L3, F+, F-, A+ and A- terminals for short circuits to ground. All readings should be greater than 1MΩ.

If any resistances are lower than 1MΩ, correct them before you apply power.

4.4 Final checks BEFORE applying power



It is essential that the following steps are performed as written and in the correct sequence.

Apply 110 - 240 Vac control power to terminal T53 (Line) and T52 (Neutral).

4.4.1 Calibrate the drive to the motor

Press the buttons in the specified sequence to set the values recorded in section 4.2:

Note: When U/D is shown, use the Up and Down buttons to change the values.

1.	Rated Armature Current	R-R-U-R-R-U/D	2) RATED ARM AMPS 35.0 AMPS
2.	Rated Field Current	L-D-D-R-U/D	4) RATED FIELD AMPS 1.35 AMPS
3.	Rated Base Speed	L-D-R-U/D	5) BASE RATED RPM 1750 RPM
4.	Required Maximum Speed	L-D-R-U/D	6) DESIRED MAX RPM 1750 RPM

Note: The base speed is the same as maximum speed unless field weakening is used to extend the speed range (section 4.11).



Always commission the drive with armature voltage as the speed feedback source even if the motor is fitted with a dc tacho or encoder as this allows the polarity of the feedback to be verified. This ensures that the motor will not run out of control

5.	Rated Armature Volts	L-9xD-R-U/D	18) RATED ARM VOLTS 500 VOLTS
6.	Supply Voltage	L-D-R-U/D	19) EL1/2/3 RATED AC 460.0 VOLTS

Check the following have not been modified from their factory default settings. If necessary correct the selections to those shown below:

7. Motor 1/2 Select

L-D-R-U/D

20) MOTOR 1/2 SELECT
MOTOR 1

8. Speed Feedback Type

L-8xU-R-U/D

Then **4xL**

9) SPEED FBK TYPE
ARMATURE VOLTS

4.4.2 Feedback calibration

If you do not have a DC tachometer or encoder, skip this section. Save the parameters (section 3.1.2).

1. DC tachometer

For a DC Tachometer, first calibrate the drive to the expected DC voltage for base speed

Base Tacho Voltage = (Base Speed/1000) x Tacho Volts per 1000 RPM



The tacho voltage must not exceed 200 Vdc

R-R-U-R-6xD-R-U/D

Then **4xL**

8) MAX TACHO VOLTS
87.50 VOLTS

2. Encoder
PPR

If the encoder is a quadrature type then enable parameter 10 as below. For a pulse and direction type encoder disable the parameter. In both cases set the number of lines.

Note: On PL models only, it is also possible to operate with a pulse-only encoder (no direction signal).

R-R-U-R-8xD-R-R-U/D

10) QUADRATURE ENABLE
ENABLED

L-D-R-U/D

Then **4xL**

11) ENCODER LINES
1024

4.5 Apply main 3-phase power

4.5.1 Check control terminals

The next checks ensure that the drive contactor is sequenced correctly before the three-phase power is applied.

Note: The value under the letters TRJSC in the display indicates the actual Control Input terminal status

Letter	Terminal	Function
T	30	THM
R	31	RUN
J	32	JOG
S	33	START
C	34	CSTOP

From the Diagnostic Screens, go to the CIP Diagnostic as follows:

R-D-R-4xD-R-D-D-R

164) DOP 123TRJSC CIP
10100000

Leave the **CSTOP** contact of your control wiring open (a 0 is displayed under the C) and close the other control contacts. Check that the digit under the appropriate letter changes as you cycle the contact.

Note: Generally **1 = ON** and **0 = OFF** (however, for the thermistor T, **0 = 0k** while **1 = Motor Overtemp**).

When you are satisfied with the operation of the **T**, **R** and **S** control inputs, leave **R** and **S OFF** and check the **C** control input for correct operation.

4.5.2 Apply power

Now apply the main 3-phase power.

4.6 Autotune the PL/X

Before running the motor, the current loop of the drive must be tuned to the motor (parameters 93, 94 and 95).

- Set RUN and CSTOP high but leave START low. The control inputs should match TRJSC below:

Still from section 4.5.1

Then **4xL**

164) DOP 123TRJSC CIP
10101001

- Enable the autotune mode

R-R-6xD-R-7xD-R-U

Then **4xL**

92) AUTOTUNE ENABLE
ENABLED

- 3. Start the drive by energising the Start Input (T33) **R-D-R-4xD-R-D-D-R**
Then **4xL**

164) DOP 123TRJSC CIP
10101011

- 4. The contactor closes and an autotune is performed (it takes 10 - 60 seconds). When complete, the drive's contactor opens. Turn off the Start Input (T33).
- 5. Save the parameters. See section 3.1.2.

4.7 Motor rotational checks



Disconnect the motor from the gear box and machine before starting these running checks.

- 1. Reduce the current limit.
As an added precaution, restrict the available current to the drive by reducing the Current Limit to just enough current to turn the motor (usually 5 to 10%).

R-R-U-R-D-R

3) CURRENT LIMIT (%)
5.00 %

- 2. Check the speed potentiometer operation. Monitor the Ramp Input to check the operation of the speed potentiometer. Leave the reference at zero after checking for correct operation.

L-L-D-R-5xD-R

Then **4xL**

26) RAMP INPUT
75.14 %

- 3. Start the drive.
Energise the Start Input (T33) to start the drive. Check the field voltage at the F+ and F- terminals. When the motor is cold, you will measure less than the rated field voltage
- 4. Confirm the field current matches the nameplate data.

R-D-R-D-D-R-D-D-R

Then **4xL**

145) FLD CUR AMPS MON
1.35 AMPS

- 5. Increase the potentiometer setting until the motor turns slowly.
Check motor rotation. If it is turning backwards, stop, turn off ALL power to the drive and swap the field leads (F+ and F-). Recheck after changes.
- 6. Slowly bring the motor to full speed.
Check the voltage on the A+ and A- terminals as you slowly bring the motor up to full speed.

R-D-R-R-3xD-R

126) ARM VOLTS MON
500.0 VOLTS

4.8 Feedback

If you do not have a DC tachometer or encoder, skip this section and go to section 4.10.

If you are using a tachometer or encoder:

1. Check to ensure the speed reference is positive (+).

3xU

123) TOTAL SPD REF MN
26.50 %

2. Check the sign of the feedback as follows:

DC tachometer:

6xD

Then **4xL**

129) TACHO VOLTS MON
23.19 VOLTS

If positive (+), skip to step 4.9. If negative (-), stop, power off the drive then swap the tachometer leads on T25 and T26 and recheck

Or Encoder:

2xU

Then **4xL**

132) ENCODER RPM MON
464 RPM

If positive (+), skip to step 4.9. If negative (-), stop, power off the drive then swap the encoder leads on T16 & T17. Alternatively check & adjust parameter 13.

R-R-U-R-8xD-R-3xD-R-D

Then **5xL**

13) ENCODER SIGN
INVERT

4.9 Switching feedback type

1. Check the sign of the feedback as follows:

DC tachometer:

R-R-U-R-7xD-R-U

Then **4xL**

9) SPEED FBK TYPE
ANALOG TACHO

If positive (+), skip to step 4.9. If negative (-), stop, power off the drive then swap the tachometer leads on T25 and T26 and recheck

Encoder:

R-R-U-R-7xD-R-2xU

Then **4xL**

9) SPEED FBK TYPE
ENCODER

2. Start the drive and make sure maximum speed can be obtained, and that the armature voltage does not exceed the nameplate armature voltage

4.10 Increase current limit to rated value

1. Return the Current Limit to 150%.
R-R-U-R-D-R-U
Then **4xL**

3) CURRENT LIMIT (%)
150.00 %

2. Save the parameters (section 3.1.2).

4.11 Set up field weakening

When using either tachometer or encoder feedback, field weakening may be enabled for a motor which supports an extended speed range.

1. Stop the drive and enable the field weakening mode.

R-R-7xD-R-4xD-R-R-U

103) FLD WEAK ENABLE
ENABLED

2. Set the minimum field current % to just less than the minimum field current % expected.
Min Field % = (Ifm + Ifb) x 90

L-7xD-R-U/D

110) MIN FLD CURRENT
53.33 %

Then **5xL**

3. Gradually increase the motor speed to maximum, taking care not to exceed the rated armature voltage or maximum speed value noted on the motor nameplate.
4. Save the parameters (section 3.1.2).

The PL/X Digital DC Drive is now successfully commissioned.

1 Einleitung

Diese Kurzanleitung ist als Ergänzung zum PL/X Produkthandbuch gedacht, mit der Sie Ihren PL/X Drive schnell, sicher und effizient als grundlegenden Drehzahlregler einrichten können.

Alle anderen Anwendungen sind im PL/X Producthandbuch beschrieben.

2 Wichtige Sicherheitshinweise

Antriebe und Prozessleitsysteme tragen in entscheidendem Maß zu Qualität und Wert von Produkten bei, doch ist eine sorgfältige Entwicklung, Installation und Verwendung erforderlich, um die Sicherheit aller Beteiligten zu gewährleisten. Beachten Sie unbedingt alle Sicherheitswarnungen in diesem Abschnitt.



Stromschlaggefahr! Elektrische Antriebe stellen eine mögliche Gefahrenquelle dar. Es ist Aufgabe des Benutzers, alle geltenden gesetzlichen Vorschriften und Auflagen zu erfüllen.



Der PL/X darf nur von Personen in Betrieb genommen werden, die:

- über eine entsprechende Qualifizierung, das Wissen und die Kenntnisse zu seiner sicheren Verwendung verfügen,
- mit der Bedienung der Maschine vertraut sind, an der der PL/X installiert ist,
- dieses Dokument gelesen und verstanden haben und,
- mit elektrischen Leitungen und Sicherheitsstandards vertraut sind.



Nur Fachpersonal darf mit der Planung, dem Bau, dem Betrieb und der Wartung Ihrer Systeme betraut werden.



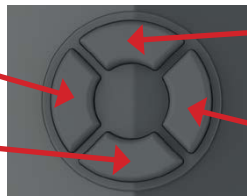
Alle Mitarbeiter, die die Ausrüstung verwenden und warten, müssen mit sämtlichen Gefahren vertraut sein, die von Ihren Geräten und Prozessen ausgehen können.



Bei Zweifeln an der Sicherheit Ihres Systems oder der Prozesse konsultieren Sie vor der Verwendung einen Experten.

3 Navigation in Menüs

Links-Taste - L



Nach-oben-Taste - O

Nach-unten-Taste - U

Rechts-Taste - R

Abbildung 3 1: Navigationstasten

Verwenden Sie zum Navigieren in den Einrichtungsmenüs die Tasten an der Vorderseite des PL/X. In dieser Kurzanleitung werden die Tastenabfolgen neben der Displayanzeige beim Drücken der richtigen Tastenabfolge angezeigt.

Tastenkürzel:

- L** Einmal auf die **Links**-Taste drücken
- O** Einmal auf die **Nach-oben**-Taste drücken
- O/U** **Oben**-Taste drücken, um den Wert zu erhöhen.
Unten-Taste drücken, um den Wert zu verringern.
- Nx** Die entsprechende Taste N Mal drücken. Dies gilt für alle Tasten. N gibt an, wie oft die Taste gedrückt werden muss. Zum Beispiel drücken Sie bei **5xL** 5 Mal auf die **Links**-Taste.

3.1.1 Diagnoseberichte

Beim Einschalten wird auf dem Display eine Zusammenfassung der Diagnoseberichte angezeigt.

SPD%	Iarm	Ifld	RJSC	↔	SRef	Ilim	-Ilim	Mode
0	0	0	0000		0	150	-150	STOP

Hinweis: In der obersten Menüebene wechselt das Display ca. alle 5 Sekunden zwischen den verschiedenen Diagnoseberichten.

Drücken Sie mindestens 5 Mal auf die Links-Taste (**5xL**), um aus einer beliebigen Menüebene zu diesen Anzeigen zurückzukehren.

3.1.2 Parameter speichern

Die Einstellungen können jederzeit gespeichert werden. Dazu öffnen Sie die Diagnosebildschirme (Abschnitt 3.1.1) und drücken Sie auf die Tasten **Rechts (R)**, **Oben (O)** und **Rechts (R)**, um den Bildschirm „Parameter Save“ (Parameter speichern) zu öffnen. Diese Abfolge wird als **R-O-R** angegeben:

R-O-R

PARAMETER SAVE	2
UP KEY TO CONTINUE	

Drücken Sie zum Fortfahren die Taste **Oben (O)**.
Nach dem Speichern drücken Sie zwei Mal auf die Links-Taste (**2xL**).

4 Installation

4.1 Anschließen des Antriebs



Vor dem Anschließen des Antriebs muss die Stromversorgung vollständig ausgeschaltet sein.



Stellen Sie sicher, dass die Strom- und Steuerkabel in unterschiedlichen Kabelkanälen verlegt sind und dass die Verkabelung gemäß den geltenden nationalen und örtlichen elektrotechnischen Vorschriften ausgelegt ist.



Stellen Sie sicher, dass die Spannungen an den Anschlüssen EL1/EL2/EL3 phasengleich zu den Spannungen auf L1/L2/L3 sind.



Damit ein zuverlässiger Betrieb sichergestellt ist, muss der PL/X den Hauptschutz über die Anschlüsse CON1 und CON2 ansteuern.



Antriebe ab 185kW (Baugrößen 3, 4 und 5) benötigen eine separate Spannungsversorgung für den Lüfter

Schließen Sie den Antrieb gemäß den folgenden Diagrammen an.

4.1.1 Rahmen 1

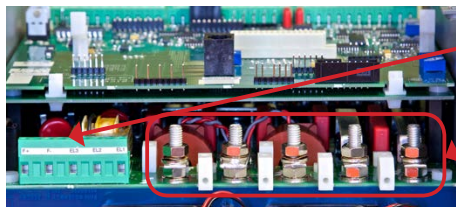


Abbildung 4-1: Obere Anschlüsse - Rahmen 1

Anschlussklemmen Feld (F+ und F-) und EL1, EL2, EL3

Sammelschienenanschlüsse für AC-Netzeingänge (L1, L2, L3) und Anker (A+ und A-)

Hinweis: Diese Anschlüsse sind bei allen PL/X-Modellen gleich.

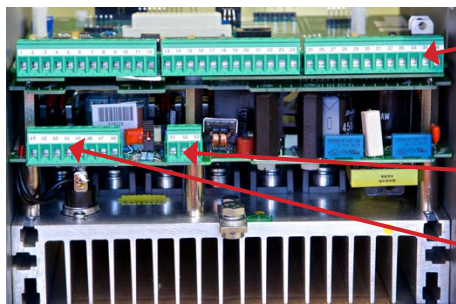


Abbildung 4-2: Untere Anschlüsse - Rahmen 1

Steueranschlüsse 1-36

Hinweis: Diese Anschlüsse sind bei allen PL/X-Modellen gleich.

Stromversorgung Steuerung (L, N, E):
Anschlüsse 51 (E), 52 (N) und 53 (L)

Anschlüsse 41-48 für Schützsteuerung und Remote-Abstastung Anker

4.1.2 Rahmen 2

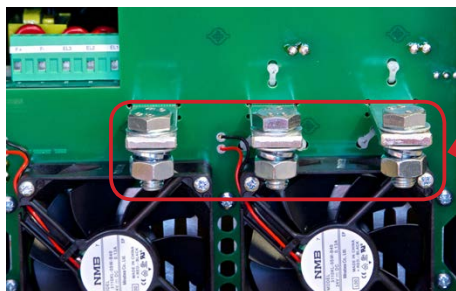
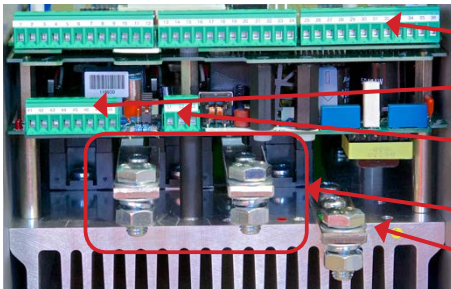


Abbildung 4-3: Obere Anschlüsse - Rahmen 2

Hinweis: Anschlussklemmen Feld (F+ und F-) und EL1, EL2, EL3 wie bei Rahmen 1

Sammelschiene Wechselstromeingang (L1, L2, L3)

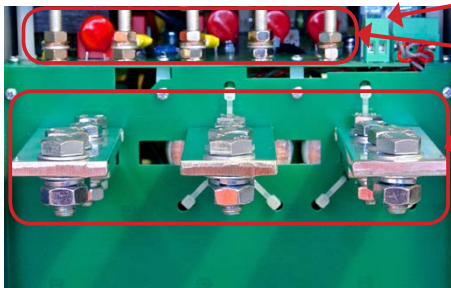
Hinweis: Die Motorankeranschlüsse (A+, A-) befinden sich an der Geräteunterseite (Abbildung 4-4).



- Steueranschlüsse 1-36
- Anschlüsse 41-48 für Schützsteuerung und Remote-Abtastung Anker
- Stromversorgung Steuerung (L, N, E):
Anschlüsse 51 (E), 52 (N) und 53 (L)
- Anschlüsse Anker (A+ und A-)
- Erdung/Masse

Abbildung 4-4: Untere Anschlüsse - Rahmen 2

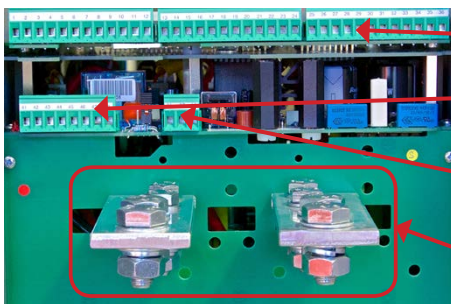
4.1.3 Rahmen 3



- 110Vac Lüfterversorgung (B1, B2)
- Anschlussklemmen Feld (F+ und F-) und
EL1, EL2, EL3
- Sammelschiene Wechselstromeingang
(L1, L2, L3)

Hinweis: Die Motorankeranschlüsse (A+, A-) befinden sich an der Geräteunterseite (Abbildung 4-6).

Abbildung 4-5: Obere Anschlüsse - Rahmen 3



- Steueranschlüsse 1-36
- Anschlüsse 41-48 für Schützsteuerung und Remote-Abtastung Anker
- Stromversorgung Steuerung (L, N, E):
Anschlüsse 51 (E), 52 (N) und 53 (L)
- Anschlüsse Anker (A+ und A-)

Abbildung 4-6: Untere Anschlüsse - Rahmen 3

4.1.4 Rahmen 4

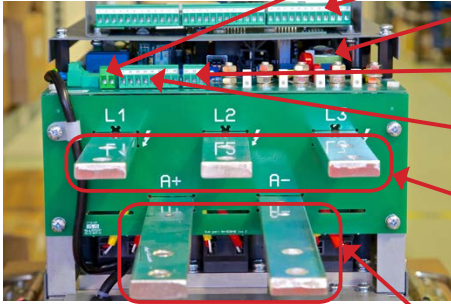


Abbildung 4-7:
Untere Anschlüsse - Rahmen 4

240Vac Lüfterversorgung (B1, B2)

Steueranschlüsse 1-36

Anschlussklemmen EL1, EL2, EL3 und Feld (F+ und F-)

Stromversorgung Steuerung (L, N, E):
Anschlüsse 51 (E), 52 (N) und 53 (L)

Anschlüsse 41-48 für Schützsteuerung
und Remote-Abtastung Anker

Sammelschienenanschlüsse für AC-
Netzeingänge (L1, L2, L3)

*Hinweis: L1, L2 und L3 können je nach
Ihren Anforderungen entweder
oben oder unten am Gerät
angeordnet sein.*

Anschlüsse Anker (A+ und A-)

4.1.5 Rahmen 5

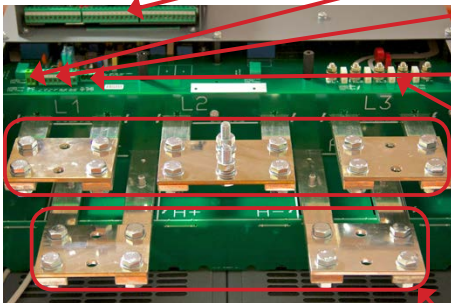


Abbildung 4-8:
Untere Anschlüsse - Rahmen 5

Steueranschlüsse 1-36

240Vac Lüfterversorgung (B1, B2)

Anschlüsse 41-48 für Schützsteuerung
und Remote-Abtastung Anker

Stromversorgung Steuerung (L, N, E):
Anschlüsse 51 (E), 52 (N) und 53 (L)

Anschlussklemmen EL1, EL2, EL3 und
Feld (F+ und F-)

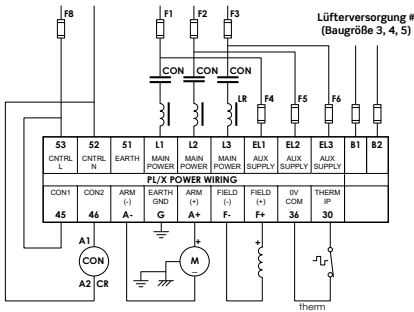
Sammelschienenanschlüsse für AC-
Netzeingänge (L1, L2, L3)

*Hinweis: L1, L2 und L3 können je nach
Ihren Anforderungen entweder
oben oder unten am Gerät
angeordnet sein.*

Anschlüsse Anker (A+ und A-)

DE

4.1.6 Schaltpläne Stromversorgung



Hinweis: Die Leistungsmerkmale der Sicherungen sind im Produkthandbuch zusammengefasst.

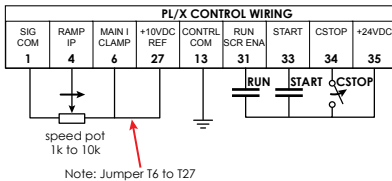
Die Stromeingänge befinden sich an der Oberseite des PL/X*, die Stromausgänge an der Unterseite (außer beim Modell mit Rahmen 1).

Hinweis: Wenn der Motor nicht mit einem Thermistor versehen ist, schließen Sie Anschlüsse 30 und 36 kurz.

*Die Stromeingänge befinden sich an der Oberseite oder der Unterseite mit Rahmen 4 & 5.

Abbildung 4-9: Schaltplan Stromversorgung

Steuerung



Note: Jumper T6 to T27

Modelle mit der Baugröße 3 benötigen eine 110Vac Lüfterversorgung. Modelle mit der Baugröße 4 und 5 benötigen eine Vac Lüfterversorgung

Die Steueranschlüsse befinden sich an der Unterseite des PL/X.

Abbildung 4-10: Schaltplan Steuerung

4.1.7 Funktionen der Steueranschlüsse

Hinweis: Alle Kontakte sind Dauerkontakte

CSTOP Freilaufstopp

Für eine korrekte Ablaufplanung muss dieser Kontakt vor allen anderen Steuersignalen geschlossen werden. Beim Öffnen wird die Generierung von Ankerstrom unverzüglich unterbrochen und der Schütz wird stromlos. Der Motor läuft frei aus.

RUN Betrieb

Elektronische Sperre für alle Betriebsarten. Kann bei den meisten Anwendungen durch einen Jumper oder vorzugsweise einen Schließer-Hilfskontakt mit Anschluss T35 verbunden werden. Im geschlossenen Zustand kann der Antrieb Strom erzeugen. Im offenen Zustand wird kein Ankerstrom erzeugt.

START Start

Beim Schließen greift der Schütz des Antriebs ein und der Motor läuft mit der Drehzahlstellung des Potentiometers.

Beim Öffnen wird der Antrieb auf Null gestellt und der Schütz nach einer Verzögerung (Standardeinstellung: 2 s) geöffnet.

Hinweis: Das Gerät ist ab Werk so programmiert, dass nach Wegfall des Eingangs START der Motorfeldstrom anliegt, bis die Löscherzögerung des Felds abgelaufen ist (Standardeinstellung: 10 s).

4.1.8 Optionale Messwertgeber

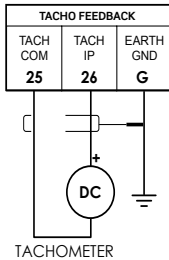
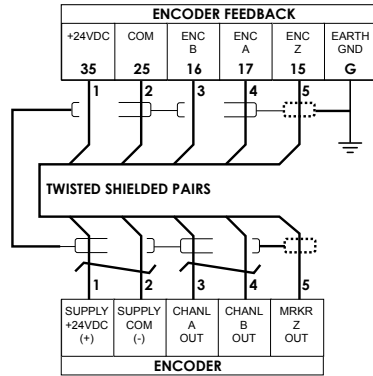


Abbildung 4-11: Gleichstrom-Tachometer



Note: MARKER Z Optional (Wire No. 5)

Abbildung 4-12: Encoder

4.2 Notieren der Stromversorgungs- und Motordaten

Messen Sie die Versorgungsspannung und tragen Sie sie in die folgende Tabelle ein. Notieren Sie alle übrigen Parameter von den Typenschildern von Motor und Messwertgeber.

Beschreibung	Typischer Wert	Istwert	Einheiten
Versorgungsspannung	480		V AC
Ankerspannung	500		V DC
Ankerstrom	35		A DC
Basisdrehzahl	1750		min-1
Maximale Drehzahl	2300		min-1
Feldspannung	300		V DC
Feldstrom bei BD	1.35		A DC
Feldstrom bei MD	0.8		A DC
Messwertgeber:			
Gleichstrom-Tachometer	60		V/1000
Encoder	1024		PPR
Encoderspannung	5 – 24		V DC



4.3 Letzte Prüfungen VOR dem Anlegen der Spannung

- Überprüfen Sie alle Kabel, insbesondere die Gehäusemasse des Antriebs.
- Überprüfen Sie mit einem Multimeter die Anschlüsse **L1, L2, L3, F+, F-, A+** und **A-** auf Masseschluss. Alle Werte müssen größer sein als 1 MΩ.
Widerstände unter 1 MΩ müssen vor dem Anlegen des Stroms korrigiert werden.

4.4 Prüfungen beim Einschalten



Die folgenden Schritte müssen unbedingt wie beschrieben und in der angegebenen Reihenfolge ausgeführt werden.

Legen Sie 110-240 V AC Steuerspannung an Anschluss T53 (Line) und T52 (Neutral) an.

4.4.1 Kalibrieren des Antriebs am Motor

Drücken Sie die Tasten in der angegebenen Reihenfolge, um die in Abschnitt 4.2 notierten Werte einzustellen:

Hinweis: Bei der Angabe O/U ändern Sie die Werte mit der Nach-oben- bzw. Nach-unten-Taste.

1.	Anker-Nennstrom	R-R-O-R-R-O/U	2) RATED ARM AMPS 35.0 AMPS
2.	Nominaler Feldstrom	L-U-U-R-O/U	4) RATED FIELD AMPS 1.35 AMPS
3.	Nenn-Basisdrehzahl	L-U-R-O/U	5) BASE RATED RPM 1750 RPM
4.	Erforderliche maximale Drehzahl	L-U-R-O/U	6) DESIRED MAX RPM 1750 RPM

Hinweis: Die Basisdrehzahl ist mit der Maximaldrehzahl identisch, sofern der Drehzahlbereich nicht per Feldschwächung erweitert wird (Abschnitt 4.11).



Nehmen Sie den Antrieb immer mit der Ankerspannung als Drehzahl-Istwertquelle in Betrieb, auch wenn der Motor mit einem DC-Tachometer oder Encoder versehen ist, da so die Polarität des Rückgabewertes überprüft werden kann. So kann der Motor nicht außer Kontrolle geraten.

5.	Anker-Nennstrom	L-9xU-R-O/U	18) RATED ARM VOLTS 500 VOLTS
6.	Versorgungs-spannung	L-U-R-O/U	19) EL1/2/3 RATED AC 460.0 VOLTS

Überprüfen Sie, ob folgende Standardeinstellungen unverändert sind. Falls nötig, korrigieren Sie die Werte wie folgt:

7. Auswahl Motor 1/2

L-U-R-0/U

20) MOTOR 1/2 SELECT
MOTOR 1

8. Drehzahl-Messwerttyp

L-8x0-R-0/U

Dann **4xL**

9) SPEED FBK TYPE
ARMATURE VOLTS

4.4.2 Messwertkalibrierung

Wenn Sie keinen DC-Tachometer oder Encoder verwenden, überspringen Sie diesen Abschnitt. Speichern Sie die Parameter (Abschnitt 3.1.2).

1. Gleichstrom-Tachometer

Bei einem Tachometer kalibrieren Sie den Antrieb zunächst für die erwartete Gleichspannung bei Basisdrehzahl:

Basis-Tachospannung = (Basisdrehzahl/1000) x Tachospannung je 1000 min⁻¹



Die Tachospannung darf 200 V DC nicht übersteigen.

R-R-0-R-6xU-R-0/U

Dann **4xL**

8) MAX TACHO VOLTS
87.50 VOLTS

2. Encoder

PPR

Handelt es sich beim Encoder um einen Drehwinkelgeber, aktivieren Sie Parameter 10 wie im Folgenden beschrieben. Bei einem Pulsgeber oder Richtungsgeber deaktivieren Sie den Parameter. In beiden Fällen stellen Sie die Geberstrichzahl ein.

Hinweis: Bei PL-Modellen ist auch ein Betrieb nur mit Impulsgeber (ohne Richtungssignal) möglich.

R-R-0-R-8xU-R-R-0/U

10) QUADRATURE ENABLE
ENABLED

L-U-R-0/U

Dann **4xL**

11) ENCODER LINES
1024

4.5 Anlegen der 3-Phasen-Hauptstromversorgung

4.5.1 Überprüfung der Steueranschlüsse

Die nächsten Prüfungen stellen sicher, dass der Antriebsschütz richtig sequenziert ist, bevor der Dreiphasenstrom angelegt wird.

Hinweis: Der Wert unter den Buchstaben TRJSC im Display zeigt den Ist-Status des Steuereingangs an.

Buchstabe	Anschluss	Funktion
T	30	THM
R	31	RUN
J	32	JOG
S	33	START
C	34	CSTOP

Rufen Sie von den Diagnosebildschirmen aus wie folgt die CIP-Diagnose auf:

R-U-R-4xU-R-U-U-R

164) DOP 123TRJSC CIP
10100000

Lassen Sie den Kontakt **CSTOP** der Steuerverkabelung offen (unter **C** wird eine **0** angezeigt) und schließen Sie die anderen Steuerkontakte. Überprüfen Sie, ob sich die Ziffer unter dem entsprechenden Buchstaben ändert, wenn Sie den Kontakt öffnen/schließen.

Hinweis: Generell gilt **1 = EIN** und **0 = AUS**, doch beim Thermistor T ist **0 = OK** und **1 = Motor Übertemp.**

Wenn die Steuereingänge **T**, **R** und **S** ordnungsgemäß funktionieren, lassen Sie **R** und **S AUS** und überprüfen Sie die ordnungsgemäße Funktion von Steuereingang **C**.

4.5.2 Strom anlegen

Schalten Sie nun die 3-Phasen-Hauptstromversorgung ein.

4.6 Autotune des PL/X

Bevor der Motor eingeschaltet wird, muss die Stromschleife des Antriebs auf den Motor eingestellt werden (Parameter 93, 94 und 95).

- Stellen Sie RUN und CSTOP auf einen hohen Wert, aber lassen Sie START auf einem niedrigen Wert. Die Steuereingänge müssen folgende TRJSC-Werte aufweisen:

Standbild aus Abschnitt 4.5.1

164) DOP 123TRJSC CIP
10101001

Dann **4xL**

- Aktivieren Sie den Autotune-Modus

R-R-6xU-R-7xU-R-O

92) AUTOTUNE ENABLE
ENABLED

Dann **4xL**

3. Starten Sie den Antrieb durch Aktivieren des Starteingangs (T33). **R-U-R-4xU-R-U-U-R**
Dann **4xL** 164) DOP 123TRJSC CIP
10101011
4. Der Schütz schließt und ein Autotune wird durchgeführt (dies dauert 10-60 Sekunden). Danach wird der Schütz des Antriebs geöffnet. Deaktivieren Sie den Starteingang (T33).
5. Speichern Sie die Parameter. Siehe Abschnitt 3.1.2.

4.7 Überprüfung der Motordrehrichtung



Trennen Sie den Motor vom Getriebe und der Maschine, bevor Sie diese Prüfungen durchführen.

1. Senken Sie den Grenzstrom.
Als zusätzliche Vorsichtsmaßnahme begrenzen Sie den verfügbaren Strom am Antrieb, indem Sie den Grenzstrom so weit verringern, dass der Motor gerade bewegt werden kann (meist 5 bis 10 %).

R-R-O-R-U-R

3) CURRENT LIMIT (%)
5.00 %

2. Überprüfen Sie die Funktion des Drehzahl-Potentiometers. Überprüfen Sie die Funktion des Drehzahl-Potentiometers anhand des Rampeneingangs. Lassen Sie den Referenzwert bei Null, nachdem Sie den ordnungsgemäßen Betrieb überprüft haben.

L-L-U-R-5xU-R

26) RAMP INPUT
75.14 %

3. Starten Sie den Antrieb.
Aktivieren Sie den Starteingang (T33), um den Antrieb zu starten. Überprüfen Sie die Feldspannung an den Anschlüssen F+ und F-. Bei kaltem Motor wird eine geringere Spannung als die Nenn-Feldspannung gemessen.
4. Überprüfen Sie, ob der Feldstrom den Angaben auf dem Typenschild entspricht.

R-U-R-U-U-R-U-U-R

Dann **4xL**

145) FLD CUR AMPS MON
1.35 AMPS

5. Erhöhen Sie die Einstellung des Potentiometers, bis der Motor langsam zu drehen beginnt.
Überprüfen Sie die Drehrichtung des Motors. Dreht er rückwärts, schalten Sie die Stromzufuhr zum Antrieb **vollständig** aus und vertauschen Sie die Feldleitungen (F+ und F-). Überprüfen Sie danach die Drehrichtung erneut.

6. Beschleunigen Sie den Motor langsam auf maximale Drehzahl.
Überprüfen Sie die Spannung an den Anschlüssen A+ und A-, während Sie den Motor auf maximale Drehzahl bringen.

R-U-R-R-3xU-R126) ARM VOLTS MON
500.0 VOLTS**4.8 Messwert**

Wenn Sie keinen DC-Tachometer oder Encoder verwenden, überspringen Sie diesen Abschnitt und gehen Sie zu Abschnitt 4.10.

Falls Sie einen Tachometer oder Encoder verwenden:

1. Überprüfen Sie, ob die Referenzdrehzahl positiv (+) ist.

3x0123) TOTAL SPD REF MN
26.50 %

2. Überprüfen Sie das Vorzeichen des Messwerts wie folgt:

Gleichstrom-Tachometer: **6xU**Dann **4xL**129) TACHO VOLTS MON
23.19 VOLTS

Falls positiv (+), weiter mit Schritt 4.9. Falls negativ (-), halten Sie den Antrieb an, schalten Sie ihn aus und vertauschen Sie die Tachometerleiter an T25 und T26. Danach prüfen Sie erneut.

Oder Encoder:

2x0Dann **4xL**132) ENCODER RPM MON
464 RPM

Falls positiv (+), weiter mit Schritt 4.9. Falls negativ (-), halten Sie den Antrieb an, schalten Sie ihn aus und vertauschen Sie die Encoderleiter bei T16 und T17. Danach prüfen Sie erneut.

R-R-O-R-8xU-R-3xU-R-UDann **5xL**13) ENCODER SIGN
INVERT**4.9 Drehzahl-Messwerttyp ändern**

1. Halten Sie den Antrieb an und wählen Sie den passenden Messwerttyp wie folgt:

Gleichstrom-Tachometer: **R-R-O-R-7xU-R-O**

Dann **4xL**

9) SPEED FBK TYPE
ANALOG TACHO

Encoder:

R-R-O-R-7xU-R-2xO

Dann **4xL**

9) SPEED FBK TYPE
ENCODER

2. Starten Sie den Antrieb und überprüfen Sie, ob die maximale Drehzahl hergestellt werden kann und die Ankerspannung die Ankerspannung auf dem Typenschild nicht überschreitet.

4.10 Erhöhen des Grenzstroms auf den Nennwert

1. Stellen Sie den Grenzstrom **R-R-O-R-U-R-O** wieder auf 150 % ein.

Dann **4xL**

3) CURRENT LIMIT (%)
150.00 %

2. Speichern Sie die Parameter (Abschnitt 3.1.2).

4.11 Einstellung der Feldschwächung

Bei Verwendung eines Tachometers oder Encoders zur Rückmeldung kann bei einem Motor, der einen erweiterten Drehzahlbereich unterstützt, die Feldschwächung aktiviert werden.

1. Halten Sie den Antrieb an und aktivieren Sie den Feldschwächungsmodus.

R-R-7xU-R-4xU-R-R-O

103) FLD WEAK ENABLE
ENABLED

2. Stellen Sie den Prozentsatz für den minimalen Feldstrom auf knapp unter den erwarteten Prozentsatz des minimalen Feldstroms ein.

Min Field % = (Ifm + Ifb) x 90

L-7xU-R-O/U

110) MIN FLD CURRENT
53.33 %

Dann **5xL**

3. Erhöhen Sie die Motordrehzahl langsam bis auf den Maximalwert. Achten Sie darauf, die Nenn-Ankerspannung oder die auf dem Motortypenschild angegebene maximale Drehzahl nicht zu überschreiten.
4. Speichern Sie die Parameter (Abschnitt 3.1.2).

Damit ist der PL/X Digital DC Drive erfolgreich in Betrieb genommen.

1 Introducción

Esta Guía de inicio rápido se concibe como un suplemento del Manual del producto PL/X, para permitirle poner rápidamente en funcionamiento su unidad PL/X Drive como un controlador de velocidad básico de una manera segura y eficiente.

Para cualquier otra aplicación, por favor consulte los Manuales del producto PL/X.

2 Indicaciones de seguridad importantes

Los sistemas de accionamiento y de mando de procesos constituyen una parte muy importante de la adición de mejor calidad y valor a los productos, pero deben ser diseñados, instalados y utilizados con gran cuidado para garantizar la seguridad de todos. Preste especial atención a todas las advertencias de seguridad de esta sección.



¡Riesgo de descarga eléctrica! Los dispositivos eléctricos constituyen un peligro para la seguridad. Es la responsabilidad del usuario garantizar el cumplimiento de todas las leyes o reglamentos vigentes.



No intente poner en funcionamiento la unidad PL/X a menos que:

- esté cualificado, y cuente con el conocimiento y la competencia para usarlo de manera segura.
- comprenda a fondo el funcionamiento de la máquina en la que la unidad PL/X esté instalada,
- haya leído y entendido este documento, y
- esté familiarizado con los estándares de cableado y de seguridad eléctrica.



Utilice únicamente personal cualificado para diseñar, construir, operar y mantener sus sistemas.



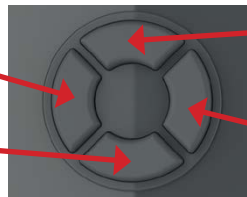
Asegúrese de que todo el personal que use o mantenga el equipo sea consciente de todos los riesgos que suponen su equipo y procesos.



En caso de alguna duda acerca de la seguridad del sistema o proceso, no proceda sin antes consultar a un experto.

3 Navegación por los menús

Botón izquierdo - I



Botón alto - A

Botón bajo - B

Botón derecho - D

Figura 3 1: Botones de navegación

Utilice los botones en la parte frontal de la unidad PL/X para navegar por los menús de configuración. En esta Guía de inicio rápido, las secuencias de botones se enumeran junto a la pantalla que se muestra cuando se pulsan los botones correctamente.

Abreviaturas de los botones:

- I** Pulse el botón **Izquierdo** una vez
- A** Pulse el botón **Alto** una vez
- A/B** Pulse el botón **Alto** para aumentar el valor.
Pulse el botón **Bajo** para disminuir el valor.
- Nx** Pulse el botón correspondiente N veces. Esto es aplicable a todos los botones. N indica el número de veces que se pulsa el botón, p. ej., para **5xl**, pulse el botón **Izquierdo** 5 veces.
- D** Pulse el botón **Derecho** una vez
- B** Pulse el botón **Bajo** una vez

3.1.1 Pantallas de resumen de diagnóstico

Las pantallas de resumen de diagnóstico se visualizan en el encendido.

SPD%	Iarm	Ifld	RJSC		SRef	Ilim	-Ilim	Mode
0	0	0	0000		0	150	-150	STOP

Nota: Cuando la pantalla está en el nivel superior, se alterna entre los Resúmenes de diagnóstico aproximadamente cada 5 segundos.

Pulse la tecla Izquierda al menos 5 veces (**5xl**) para volver a estas pantallas desde cualquier nivel de menú.

3.1.2 Guardar los parámetros

Para guardar la configuración en cualquier momento, vaya primero a las Pantallas de diagnóstico (sección 3.1.1), a continuación, pulse el botón **Derecho (D)**, el botón **Alto (A)** y el botón **Derecho (D)** para visualizar la pantalla Parameter Save (Guardar parámetros). Esta secuencia se muestra como **D-A-D**:

D-A-D

PARAMETER SAVE 2 UP KEY TO CONTINUE
--

Pulse el botón **Alto (A)** para continuar.

Cuando se termine la función de guardar, pulse el botón Izquierdo dos veces (**2xl**).

4 Instalación

4.1 Conectar la unidad

- Antes de empezar a conectar la unidad, asegúrese de que el equipo esté totalmente APAGADO.
- Asegúrese de que el cableado de alimentación y de control se encaminen en conductos/ bandejas de cables separados y que el cableado cumpla con todas las normativas eléctricas nacionales y locales aplicables.
- Asegúrese de que las tensiones en los terminales EL1/EL2/EL3 estén en fase con las tensiones en L1/L2/L3.
- Para un funcionamiento fiable, la unidad PL/X debe controlar el contactor principal a través de sus terminales CON1 y CON2.
- Variadores de potencia 185kW y superiores (tamaños 3, 4 y 5) requieren una conexión externa de potencia para el ventilador de disipación.

ES

Utilice los siguientes diagramas para conectar la unidad.

4.1.1 Bastidor 1

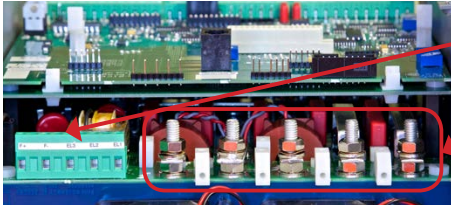


Figura 4-1: Conexiones superiores - Bastidor 1

Terminales del campo (F+ y F-) y de suministro EL1, EL2, EL3

Conexiones en barra colectora para la alimentación de CA de entrada (L1, L2, L3) y la armadura (A+ y A-)

Nota: Estos terminales son comunes para todos los modelos PL/X.

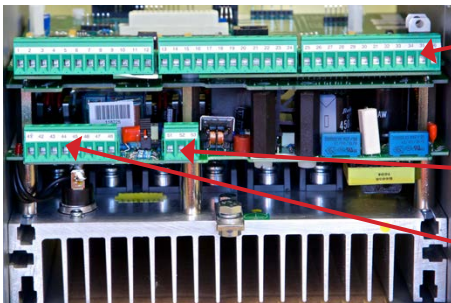


Figura 4-2: Conexiones inferiores - Bastidor 1

Terminales de control 1 - 36

Nota: Estos terminales son comunes para todos los modelos PL/X.

Fuente de alimentación de control (L(línea), N(neutro), E(tierra)): Terminales 51 (E), 52 (N) y 53 (L)

Terminales 41 - 48 para el control del contactor y la detección remota de la armadura

4.1.2 Bastidor 2

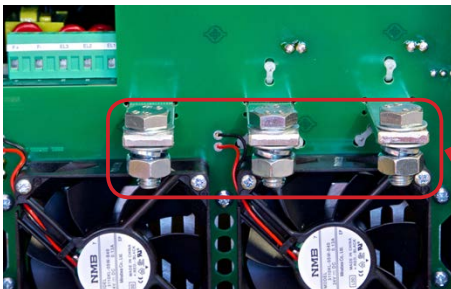


Figura 4-3: Conexiones superiores - Bastidor 2

Nota: Los terminales del campo (F+ y F-) y de suministro EL1, EL2, EL3 son como los del Bastidor 1.

Barras colectoras de CA de entrada (L1, L2, L3)

Nota: Las conexiones de la armadura del motor (A+, A-) se encuentran en la parte inferior de la unidad (Figura 4 4).

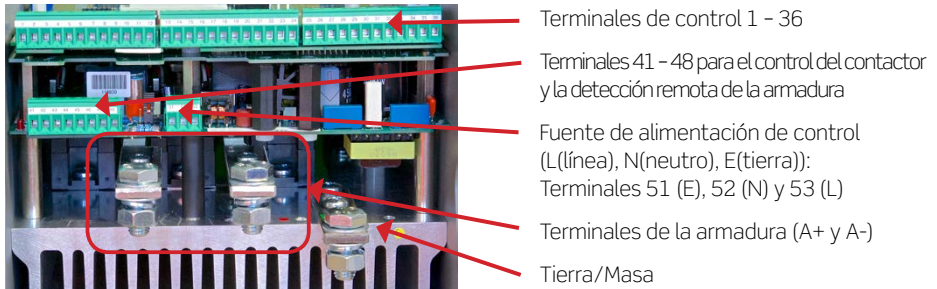


Figura 4-4: Conexiones inferiores - Bastidor 2

4.1.3 Bastidor 3



Figura 4-5: Conexiones superiores - Bastidor 3

Alimentación externa de ventilador 110Vac (B1, B2)

Terminales del campo (F+ y F-) y de suministro EL1, EL2, EL3

Barras colectoras de CA de entrada (L1, L2, L3)

Nota: Las conexiones de la armadura del motor (A+, A-) se encuentran en la parte inferior de la unidad (Figura 4.6).

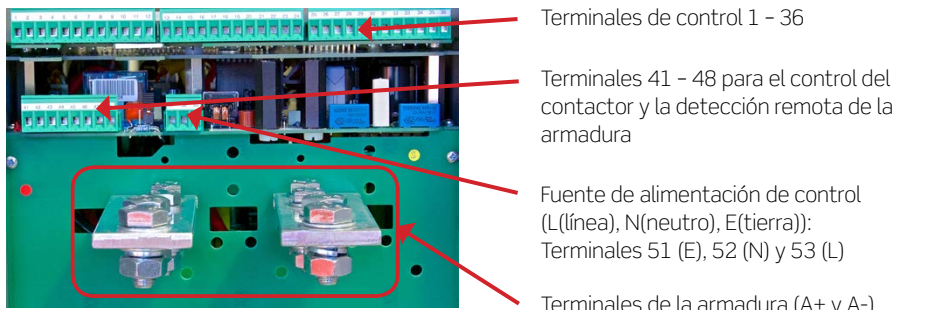


Figura 4-6: Conexiones inferiores - Bastidor 3

Terminales de control 1 - 36

Terminales 41 - 48 para el control del contactor y la detección remota de la armadura

Fuente de alimentación de control (L(línea), N(neutro), E(tierra)): Terminales 51 (E), 52 (N) y 53 (L)

Terminales de la armadura (A+ y A-)

4.1.4 Bastidor 4

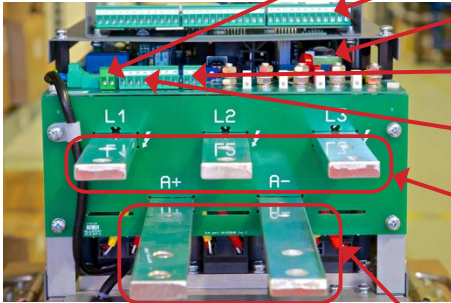


Figura 4-7:
Conexiones inferiores - Bastidor 4

Alimentación externa de ventilador
240Vac (B1, B2)

Terminales de control 1 - 36

Terminales de suministro EL1, EL2, EL3 y
del Campo (F+ y F-)

Fuente de alimentación del control (L, N,
E): terminales 51 (E), 52 (N) y 53 (L)

Terminales 41 - 48 para el control del contactor
y la detección remota de la armadura

Conexiones en barra colectora para la
alimentación CA de entrada (L1, L2, L3)

*Nota: L1, L2, L3 pueden estar
situados en la parte superior
o inferior de la unidad, en
función de sus requerimientos
de compra originales.*

Terminales de la armadura (A+ y A-)

4.1.5 Bastidor 5

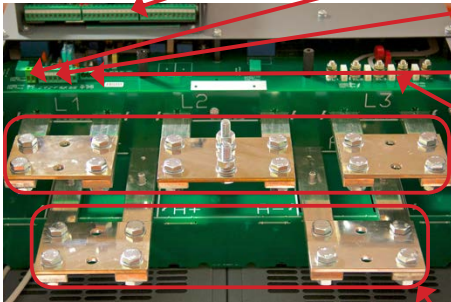


Figura 4-8:
Conexiones inferiores - Bastidor 5

Terminales de control 1 - 36

Alimentación externa de ventilador
240Vac (B1, B2)

Terminales 41 - 48 para el control del contactor
y la detección remota de la armadura

Fuente de alimentación del control (L, N,
E): terminales 51 (E), 52 (N) y 53 (L)

Terminales de suministro EL1, EL2, EL3 y
del Campo (F+ y F-)

Conexiones en barra colectora para la
alimentación CA de entrada (L1, L2, L3)

*Nota: L1, L2, L3 pueden estar
situados en la parte superior
o inferior de la unidad, en
función de sus requerimientos
de compra originales.*

Terminales de la armadura (A+ y A-)

4.1.6 Diagramas de cableado Alimentación

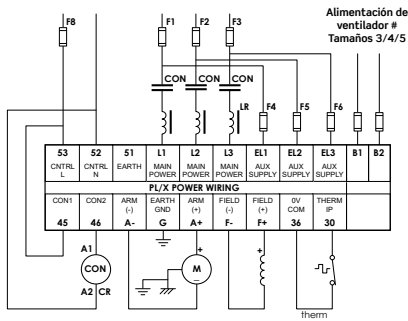


Figura 4-9: Diagrama de cableado de la alimentación

Control

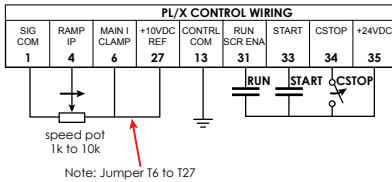


Figura 4-10: Diagrama de cableado del control

4.1.7 Funciones de los terminales de control

Nota: Todos los contactos son del tipo mantenido.

CSTOP Paro libre

Este debe cerrarse antes de todas las demás señales de control para una secuenciación correcta.

Cuando se abre, la unidad inmediatamente deja de generar la corriente de armadura y el contactor se abre. El motor se detiene en paro libre.

RUN Marcha

Inhibición electrónica para todos los modos de funcionamiento. Puede estar conectado al terminal T35 con un puente en la mayoría de las aplicaciones o preferentemente un contacto auxiliar normalmente abierto en el contactor principal.

Cuando está cerrado, la unidad puede generar corriente. Si está abierto, no se generará ninguna corriente de armadura.

Nota: Consulte el Manual del producto para las especificaciones de los fusibles.

Los terminales de entrada de alimentación se encuentran en la parte superior de la unidad PL/X*, mientras que los terminales de salida de alimentación en la parte inferior de la unidad PL/X (excepto para el modelo del Bastidor 1).

Nota: Si el motor no está equipado con un termistor, conecte en cortocircuito los terminales 30 y 36.

*Terminales de entrada de alimentación se encuentran en la parte superior o salida por del Bastidor 4 & 5

#Modelos de tamaño 3 requieren alimentación de ventilador a 110Vac. Modelos de tamaño 4 y 5 requieren alimentación de ventilador a 240Vac

Los terminales de control se encuentran en la parte inferior de la unidad PL/X.

START Arranque

Cuando está cerrado, el contactor de la unidad entra y el motor funciona a una velocidad ajustada por potenciómetro.

Cuando se abre, la unidad desciende en rampa a cero y el contactor se abre después de un retraso (por defecto 2 s).

Nota: Programado en fábrica: después de eliminar la entrada START, la corriente de campo del motor está presente hasta que se complete el retardo de extinción de campo (por defecto 10 segundos).

4.1.8 Dispositivos de realimentación opcionales

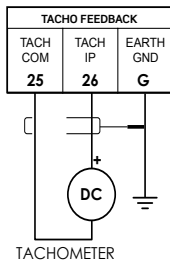
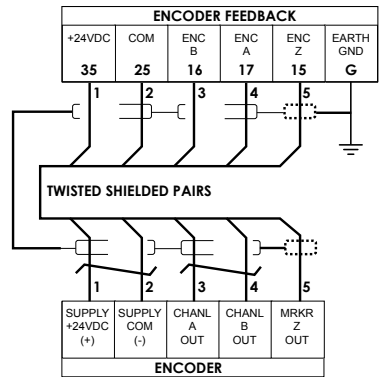


Figura 4-11: Tacómetro CC



Note: MARKER Z Optional (Wire No. 5)

Figura 4-12: Codificador

4.2 Registro de los datos de suministro y del motor

Mida la tensión de suministro y regístrela a continuación.

Anote todos los demás parámetros del motor y del dispositivo de realimentación según se indica en las placas de identificación.

Description	Valor típico	Valor real	Unidades
Tensión de suministro	480		Vca
Voltios de la armadura	500		Vcc
Corriente de la armadura	35		Acc
Velocidad base (VB)	1750		rpm
Velocidad máxima (VM)	2300		rpm
Voltios del campo	300		Vcc
Corriente del campo a VB	1.35		Acc
Corriente del campo a VM	0.8		Acc
Dispositivo de realimentación:			
Tacómetro CC	60		V/1000
Codificador	1024		PPR
Voltios del codificador	5 - 24		Vcc

4.3 Comprobaciones finales ANTES de aplicar la alimentación

- Vuelva a revisar todo el cableado, especialmente la tierra del chasis de la unidad.
- Utilice un multímetro para comprobar la ausencia de cortocircuitos a tierra en los terminales **L1, L2, L3, F+, F-, A+ y A-**. Todas las lecturas deben ser superiores a 1MΩ.

Si hay alguna resistencia inferior a 1MΩ, corríjala antes de aplicar la alimentación.

4.4 Comprobaciones de encendido



Es esencial que los siguientes pasos se realicen como está escrito y en la secuencia correcta.

Aplique la alimentación de control de 110 – 240 Vca al terminal T53 (Línea) y T52 (Neutro).

4.4.1 Calibrar la unidad al motor

Pulse los botones en la secuencia especificada para establecer los valores registrados en la sección 4.2:

Nota: Cuando se muestre A/B, utilice los botones Alto y Bajo para cambiar los valores.

1.	Corriente nominal de la armadura	D-D-A-D-D-A/B	2) RATED ARM AMPS 35.0 AMPS
2.	Corriente nominal del campo	I-B-B-D-A/B	4) RATED FIELD AMPS 1.35 AMPS
3.	Velocidad base nominal	I-B-D-A/B	5) BASE RATED RPM 1750 RPM
4.	Velocidad máxima requerida	I-B-D-A/B	6) DESIRED MAX RPM 1750 RPM

Nota: La velocidad base es la misma que la velocidad máxima a menos que se utilice un debilitamiento del campo para extender los límites de velocidad (sección 4.11).



Ponga siempre en marcha la unidad con la tensión de la armadura como la fuente de realimentación de velocidad, incluso si el motor está equipado con un tacómetro cc o codificador ya que esto permite que se pueda verificar la polaridad de la realimentación. Esto asegura que el motor no vaya a funcionar fuera de control.

5.	Voltios nominales de la armadura	I-9xB-D-A/B	18) RATED ARM VOLTS 500 VOLTS
6.	Tensión de suministro	I-B-D-A/B	19) EL1/2/3 RATED AC 460.0 VOLTS

ES

Compruebe que no se hayan modificado los ajustes predeterminados de fábrica de los siguientes elementos. Si fuera necesario, corrija las selecciones a las que se muestran a continuación:

7. Selección de motor 1/2 **I-B-D-A/B**

20) MOTOR 1/2 SELECT
MOTOR 1

8. Tipo de realimentación de velocidad **I-8xA-D-A/B**
Después **4xl**

9) SPEED FBK TYPE
ARMATURE VOLTS

4.4.2 Calibración de la realimentación

Si no está equipado con un tacómetro CC o codificador, omita esta sección. Guarde los parámetros (sección 3.1.2).

1. Tacómetro CC
Para un tacómetro, calibre inicialmente la unidad para la tensión CC esperada a la velocidad base:

$$\text{Tensión base del tacómetro} = (\text{Velocidad base} / 1000) \times \text{Voltios del tacómetro por 1000 RPM}$$



La tensión del tacómetro no debe superar los 200 Vcc.

D-D-A-D-6xB-D-A/B

Después **4xl**

8) MAX TACHO VOLTS
87.50 VOLTS

2. Codificador
PPR (impulsos por revolución)

Si el codificador es del tipo cuadratura entonces active el parámetro 10 de la siguiente manera. Para un codificador del tipo de impulsos y dirección, desactive el parámetro. En ambos casos establezca el número de líneas.

Nota: En los modelos PL únicamente también es posible operar con un codificador solo de impulsos (sin señal de dirección).

D-D-A-D-8xB-D-D-A/B

10) QUADRATURE ENABLE
ENABLED

I-B-D-A/B

Después **4xl**

11) ENCODER LINES
1024

4.5 Aplicar la alimentación trifásica principal

4.5.1 Comprobar los terminales de control

Las siguientes comprobaciones aseguran que el contactor de la unidad esté secuenciado correctamente antes de aplicar la alimentación trifásica.

Nota: El valor bajo las letras TRJSC en la pantalla indica el estado real del terminal de entrada de Control.

Letra	Terminal	Función
T	30	THM (Termistor)
R	31	RUN (Marcha)
J	32	JOG (Avance)
S	33	START (Arranque)
C	34	CSTOP (Paro libre)

Desde las pantallas de Diagnóstico, vaya a la de Diagnóstico CIP (Entrada de control) de la siguiente manera:

D-B-D-4xB-D-B-B-D

164) DOP 123TRJSC CIP
10100000

Deje el contacto **CSTOP** del cableado de control abierto (se muestra un **0** bajo la **C**) y cierre los demás contactos de control. Compruebe que cambie el dígito bajo la letra correspondiente al accionar el contacto.

Nota: En general **1 = ACTIVADO (ON)** y **0 = DESACTIVADO (OFF)** (sin embargo, para el termistor T, **0 = 0 k** mientras que **1 = Sobretemp. del motor**).

Cuando esté satisfecho con el funcionamiento de las entradas de control **T**, **R** y **S**, deje **R** y **S** **DESACTIVADAS** y compruebe que la entrada de control **C** esté funcionando correctamente.

4.5.2 Aplicar la alimentación

Ahora aplique la alimentación principal de 3 fases.

4.6 Ajuste automático del PL/X

Antes de poner en marcha el motor, el circuito de corriente de la unidad debe ponerse a punto con el motor (parámetros 93, 94 y 95).

1. Asigne RUN y CSTOP alto pero deje START bajo. Las entradas de control deben coincidir con el TRJSC a continuación:

Todavía a partir de la sección 4.5.1

Después **4xl**

164) DOP 123TRJSC CIP
10101001

2. Habilite el modo de ajuste automático (autotune) **D-D-6xB-D-7xB-D-A**
Después **4xl**

92) AUTOTUNE ENABLE
ENABLED
3. Arranque la unidad activando la entrada Start (T33) **D-B-D-4xB-D-B-B-D**
Después **4xl**

164) DOP 123TRJSC CIP
10101011
4. Se cierra el contactor y se lleva a cabo un autoajuste (tarda 10 - 60 segundos). Una vez completado, se abre el contactor de la unidad. Desactive la entrada Start (T33).
5. Guarde los parámetros. Véase la sección 3.1.2.

4.7 Comprobaciones de giro del motor



Desconecte el motor de la caja de cambios y la máquina antes de comenzar con estas comprobaciones de funcionamiento.

1. Reduzca el límite de corriente.
Como precaución adicional, limite la corriente disponible en la unidad mediante la reducción del Límite de corriente a apenas el suficiente para activar el motor (por lo general de 5 a 10 %).

D-D-A-D-B-D

3) CURRENT LIMIT (%)
5.00 %

2. Compruebe el funcionamiento del potenciómetro de velocidad. Monitorice la Entrada de rampa para comprobar el funcionamiento del potenciómetro de velocidad. Deje la referencia en cero después de comprobar que el funcionamiento sea correcto.

I-I-B-D-5xB-D

Después **4xl**

26) RAMP INPUT
75.14 %

3. Arranque la unidad.
Active la entrada de Arranque (Start Input) (T33) para dar arranque a la unidad. Compruebe la tensión del campo en los terminales F+ y F-. Cuando el motor está frío, se medirá un valor menor de la tensión nominal del campo.
4. Confirme que la corriente del campo coincida con los datos de la placa de identificación.

D-B-D-B-B-D-B-B-D

Después **4xl**

145) FLD CUR AMPS MON
1.35 AMPS

- Aumente el ajuste del potenciómetro hasta que el motor gire lentamente.

Compruebe el giro del motor. Si gira en sentido inverso, pare, desconecte **TODA** la alimentación de la unidad e intercambie los cables de campo (**F+** y **F-**). Vuelva a comprobarlo después de los cambios.
- Lleve poco a poco el motor a velocidad máxima.

Compruebe la tensión en los terminales **A+** y **A-** a medida que lleva poco a poco el motor a velocidad máxima.

D-B-D-D-3xB-D

126) ARM VOLTS MON
500.0 VOLTS

4.8 Realimentación

Si no está equipado con un tacómetro CC o codificador, omita esta sección y pase a la sección 4.10.
Si está utilizando un tacómetro o codificador:

- Compruebe que la referencia de velocidad sea positiva (+).

3xA

123) TOTAL SPD REF MN
26.50 %

- Compruebe el signo de la realimentación de la siguiente manera:

Tacómetro CC:

6xB

Después **4xl**

129) TACHO VOLTS MON
23.19 VOLTS

Si es positivo (+), salte al paso 4.9. Si es negativo (-), pare, desconecte y luego intercambie los cables del tacómetro en T25 y T26 y vuelva a comprobar.

O Codificador:

2xA

Después **4xl**

132) ENCODER RPM MON
464 RPM

Si es positivo (+), salte al paso 4.9. Si es negativo (-), , pare, desconecte y luego intercambie los cables del codificador en T16 y T17 y vuelva a comprobar.

D-D-A-D-8xB-D-3xB-D-B

Después **5xl**

13) ENCODER SIGN
INVERT

4.9 Cambio del tipo de realimentación

1. Pare la unidad y seleccione la realimentación apropiada de la siguiente manera:

Tacómetro CC:	D-D-A-D-7xB-D-A	9) SPEED FBK TYPE ANALOG TACHO
	Después 4xl	

Codificador:	D-D-A-D-7xB-D-2xA	9) SPEED FBK TYPE ENCODER
	Después 4xl	

2. Arranque la unidad y asegúrese de que se pueda obtener la velocidad máxima, y que la tensión de la armadura no supere a la indicada en la placa de identificación.

4.10 Aumente el límite de corriente al valor nominal

1. Vuelva el Límite de corriente a 150 %.	D-D-A-D-B-D-A	3) CURRENT LIMIT (%) 150.00 %
	Después 4xl	

2. Guarde los parámetros (sección 3.1.2).

4.11 Configurar el debilitamiento del campo

Cuando se utilice realimentación ya sea por tacómetro o codificador, puede activarse el debilitamiento de campo para un motor que admita un intervalo ampliado de velocidades.

1. Pare la unidad y active el modo de debilitamiento del campo.

D-D-7xB-D-4xB-D-D-A	103) FLD WEAK ENABLE ENABLED
----------------------------	---------------------------------

2. Establezca el mínimo % de corriente del campo a un valor apenas menor del mínimo % esperado de corriente del campo.

% de corr. del campo mín. = (Ifm + Ifb) x 90

I-7xB-D-A/B	110) MIN FLD CURRENT 53.33 %
Después 5xl	

3. Aumente gradualmente la velocidad del motor al máximo, teniendo cuidado de no exceder la tensión nominal de la armadura o el valor de la velocidad máxima indicados en la placa de identificación del motor.
4. Guarde los parámetros (sección 3.1.2).

La unidad PL/X Digital DC Drive ya se encuentra puesta en servicio con éxito.



1 Introduction

Ce guide de démarrage rapide a été conçu comme un supplément au Manuel Produit PL/X, pour vous permettre de rendre rapidement opérationnel votre variateur PL/X et de l'utiliser comme un régulateur de vitesse classique, de manière efficace et en toute sécurité.

Pour toute autre application, merci de vous référer aux Manuel Produits PL/X.

2 Remarques de sécurité importantes

Les variateurs et les systèmes de commande de process jouent un rôle important dans l'amélioration de la qualité et dans la création de produits à valeur ajoutée, mais ils doivent être conçus, installés et utilisés avec beaucoup de précautions afin de garantir la sécurité de l'ensemble des personnes. Prêtez une attention particulière à tous les avertissements de sécurité mentionnés dans cette section.



Risque de choc électrique ! Les dispositifs électriques constituent un danger pour la sécurité. Il est de la responsabilité de l'utilisateur de s'assurer de la conformité à tous les règlements et lois en vigueur.



Ne tentez pas de mettre le PL/X en service à moins de :

- Être qualifié et de posséder les connaissances et les compétences requises pour pouvoir l'utiliser en toute sécurité,
- Comprendre de manière approfondie le fonctionnement de la machine à laquelle le PL/X est raccordé,
- Avoir lu et compris ce document et
- Être familiarisé avec les normes de câblage électrique et de sécurité.



Seul un personnel qualifié peut concevoir, construire, mettre en œuvre et entretenir vos systèmes.



Assurez-vous que l'ensemble du personnel qui utilise ou entretient l'équipement est informé de tous les dangers liés à vos équipements et process.

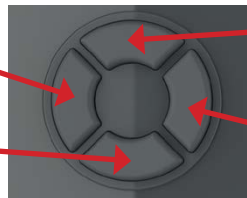


En cas de doute sur la sécurité de vos systèmes ou process, ne poursuivez pas sans avoir au préalable consulté un expert.

3 Navigation dans les menus

Bouton gauche - G

Bouton bas - B



Bouton haut - H

Bouton droit - D

Figure 3-1: Bouton de navigation

Utilisez les boutons situés en façade du PL/X pour naviguer dans les menus de configuration. Dans ce Guide de démarrage rapide, les séquences de boutons sont indiquées à côté de l'écran qui s'affiche lorsque les boutons sont correctement pressés.

Abréviations des boutons :

- G** Appuyez une fois sur le bouton **Gauche** **D** Appuyez une fois sur le bouton **Droit**
H Appuyez une fois sur le bouton **Haut** **B** Appuyez une fois sur le bouton **Bas**
H/B Appuyez sur le bouton **Haut** pour augmenter la valeur.
 Appuyez sur le bouton **Bas** pour diminuer la valeur.
Nx Appuyez N fois sur le bouton correspondant. Ceci est valable pour tous les boutons. N indique le nombre de fois que le bouton doit être pressé ; par exemple, pour **5xG**, appuyez 5 fois sur le bouton **Gauche**.

3.1.1 Écrans Résumé de diagnostic

Les écrans de résumé de diagnostic s'affichent au démarrage.

SPD%	Iarm	IflId	RJSC		SRef	Ilim	-Ilim	Mode
0	0	0	0000		0	150	-150	STOP

Remarque : Lorsque l'écran affiche la première ligne, l'affichage bascule entre les différents Résumés de Diagnostic toutes les 5 secondes environ.

Appuyez au moins 5 fois sur le bouton Gauche (**5xG**) pour revenir à ces écrans à partir de n'importe quel niveau de menu.

3.1.2 Sauvegarde des paramètres

À tout moment, pour sauvegarder les paramètres, allez d'abord sur les écrans Résumé de diagnostic (section 3.1.1), puis appuyez sur le bouton **Droit (D)**, sur le bouton **Haut (H)** et puis sur bouton **Droit (D)** pour afficher l'écran de sauvegarde des paramètres. Cette séquence est indiquée sous la forme **D-H-D** :

D-H-D

PARAMETER SAVE 2
UP KEY TO CONTINUE

Appuyer sur la touche **Haut (H)** pour continuer.

Lorsque la sauvegarde est achevée, appuyez deux fois sur le bouton **Gauche (2xG)**.

4 Installation

4.1 Raccordement du variateur



Avant de débiter le raccordement du variateur, assurez-vous que l'alimentation est sur OFF.



Assurez-vous que le câblage d'alimentation et le câblage de commande cheminent dans des conduits / chemins de câbles distincts et que le câblage est conforme à toutes les réglementations électriques nationales et locales en vigueur.



Assurez-vous que les tensions sur les bornes EL1/EL2/EL3 sont bien en phase avec les tensions de L1/L2/L3.



Pour un fonctionnement fiable, le PL/X doit commander le contacteur principal via ses bornes CON1 et CON2.



Drive de puissance 185kW et supérieur (taille 3,4 & 5) nécessite une alimentation externe pour le ventilateur de refroidissement

Aidez-vous des diagrammes suivants pour raccorder votre variateur.

4.1.1 Châssis 1

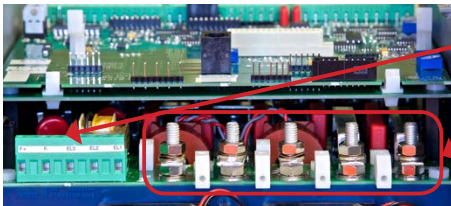


Figure 4-1 : Connexions supérieures - Châssis 1

Bornes d'excitation (F+ et F-) et bornes d'alimentation EL1, EL2, EL3

Connexions type barres omnibus pour entrée d'alimentation AC (L1, L2, L3) et induit (A+ et A-)

Remarque : Ces bornes sont communes à tous les modèles PL/X.

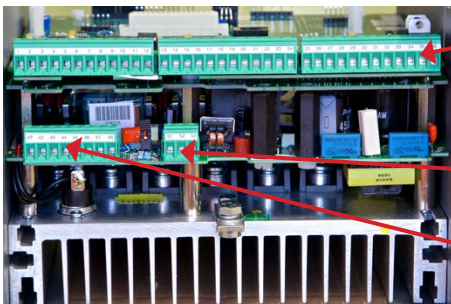


Figure 4-2 : Connexions inférieures - Châssis

Bornes de commande 1 - 36

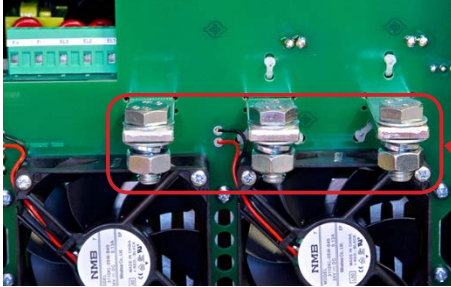
Remarque : Ces bornes sont communes à tous les modèles PL/X.

Alimentation de commande (L, N, E) :
Bornes 51 (E), 52 (N) et 53 (L)

Bornes 41 - 48 pour commande du contacteur et détection à distance de l'induit

FR

4.1.2 Châssis 2

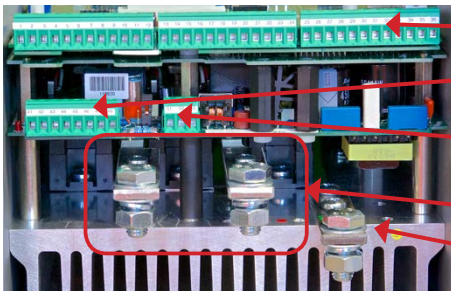


Remarque : Bornes d'excitation (F+ et F-) et bornes d'alimentation EL1, EL2, EL3 identiques à celles du châssis 1.

Barres omnibus pour entrée AC (L1, L2, L3)

Remarque : Les connexions de l'induit du moteur (A+, A-) sont situées au bas de l'unité (Figure 4 4).

Figure 4-3 : Connexions supérieures - Châssis 2



Bornes de commande 1 - 36

Bornes 41 - 48 pour commande du contacteur et détection à distance de l'induit

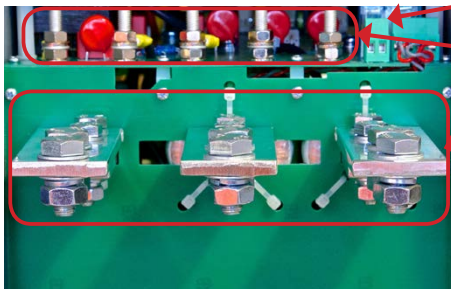
Alimentation de commande (L, N, E) : Bornes 51 (E), 52 (N) et 53 (L)

Bornes de l'induit (A+ et A-)

Terre / Masse

Figure 4-4 : Connexions inférieures - Châssis 2

4.1.3 Châssis 3



110Vac alimentation ventilateur (B1, B2)

Bornes d'excitation (F+ et F-) et bornes d'alimentation EL1, EL2, EL3

Barres omnibus pour entrée AC (L1, L2, L3)

Remarque : Les connexions de l'induit du moteur (A+, A-) sont situées au bas de l'unité (Figure 4 6).

Figure 4-5 : Connexions supérieures - Châssis 3

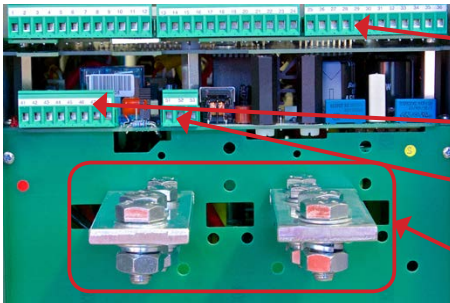


Figure 4-6 : Connexions inférieures - Châssis 3

- Bornes de commande 1 - 36
- Bornes 41 - 48 pour commande du contacteur et détection à distance de l'induit
- Alimentation de commande (L, N, E) : Bornes 51 (E), 52 (N) et 53 (L)
- Bornes de l'induit (A+ et A-)

4.1.4 Châssis 4

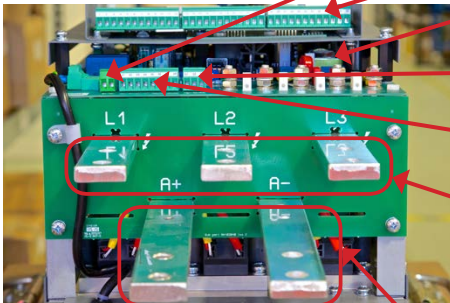


Figure 4-7 :
Connexions inférieures - Châssis 4

- 240Vac alimentation ventilateur (B1, B2)
- Bornes de commande 1 - 36
- Bornes d'alimentation EL1, EL2, EL3 et d'excitation (F+ et F-)
- Alimentation de commande (L, N, E) : bornes 51 (E), 52 (N) et 53 (L)
- Bornes 41 - 48 pour commande du contacteur et détection à distance de l'induit
- Connexions type barres omnibus pour entrée d'alimentation AC (L1, L2, L3)
- Remarque : L1, L2, L3 peuvent être situées soit en haut soit au bas de l'unité, en fonction des exigences formulées lors de votre achat.
- Bornes de l'induit (A+ et A-)

4.1.5 Châssis 5

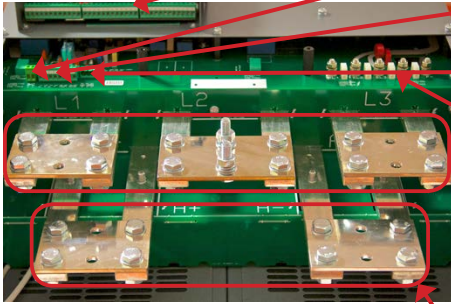


Figure 4-8 :
Connexions inférieures - Châssis 5

- Bornes de commande 1 - 36
- 240Vac alimentation ventilateur (B1, B2)
- Bornes 41 - 48 pour commande du contacteur et détection à distance de l'induit
- Alimentation de commande (L, N, E) : bornes 51 (E), 52 (N) et 53 (L)
- Bornes d'alimentation EL1, EL2, EL3 et d'excitation (F+ et F-)
- Connexions type barres omnibus pour entrée d'alimentation AC (L1, L2, L3)
- Remarque : L1, L2, L3 peuvent être situées soit en haut soit au bas de l'unité, en fonction des exigences formulées lors de votre achat.
- Bornes de l'induit (A+ et A-)

4.1.6 Schémas de câblage Puissance

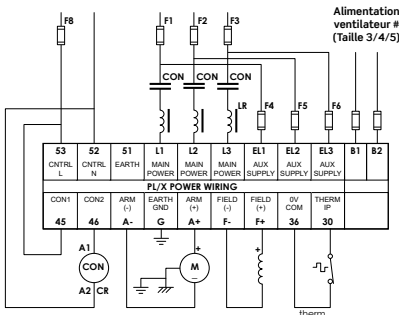


Figure 4-9 : Schéma de câblage d'alimentation

Remarque : Reportez-vous au Manuel Produit pour les spécifications concernant les fusibles

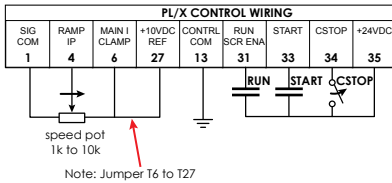
Les bornes d'entrée d'alimentation sont situées en haut du PL/X* et les bornes de sortie au bas du PL/X (excepté pour le modèle Châssis 1).

Remarque : Si aucune thermistance n'est présente sur le moteur, alors court-circuitez les bornes 30 et 36 en les reliant entre elles.

*Les bornes d'entrée d'alimentation sont situées en haut ou au bas pour les modèles Châssis 4 & 5.

Modèle taille 3 nécessite une alimentation du ventilateur 110Vac. Modèles tailles 4&5 nécessite une alimentation du ventilateur 240Vac

Commande



Les bornes de commande sont situées au bas du PL/X

Figure 4-10 : Schéma de câblage de commande

4.1.7 Fonctions des bornes de commande

Remarque : Tous les contacts sont de type « contact maintenu ».

CSTOP Coast Stop (Arrêt en roue libre)

Ce contact doit être fermé avant tous les autres signaux de commande afin que le séquençage soit correct.

Lorsque ce contact est ouvert, le variateur s'arrête immédiatement, ce qui génère un courant dans l'induit et le déclenchement du contacteur. Le moteur est débrayé et s'arrête en roue libre.

RUN Run (Fonctionnement)

Inhibition électronique pour tous les modes de fonctionnement. Peut être raccordé dans la plupart des applications à la borne T35 à l'aide d'un cavalier ou bien de préférence à un contact auxiliaire normalement ouvert sur le contacteur principal.

Lorsqu'il est fermé, le variateur peut générer un courant. Lorsqu'il est ouvert, aucun courant d'induit n'est généré.

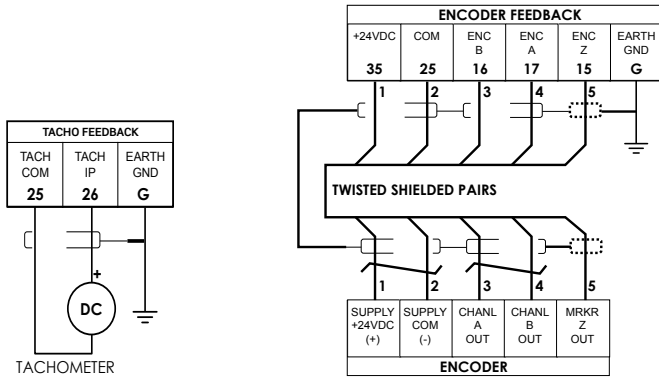
START Start (Démarrage)

À la fermeture du contacteur du variateur, le moteur tourne à la vitesse réglée au potentiomètre.

À l'ordre d'ouverture, le variateur tend vers 0 sur rampe et le contacteur s'ouvre après un temps donné (2 secondes par défaut).

Remarque : Comme programmé en usine, après suppression du signal d'entrée START, le courant inducteur du moteur est maintenu jusqu'à ce que la période d'évanouissement du champ s'achève (10 secondes par défaut).

4.1.8 Dispositifs d'asservissement en option



Note: MARKER Z Optional (Wire No. 5)

Figure 4-11 : Tachymètre DC

Figure 4-12 : Codeur

4.2 Relevé des données moteur et d'alimentation

Mesurez la tension d'alimentation et saisissez-la ci-dessous.

Relevez tous les autres paramètres présents sur les plaques signalétiques du moteur et du dispositif d'asservissement.

Description	Valeur type	Valeur réelle	Units
Tension d'alimentation	480		Vac
Tension dans l'induit	500		Vdc
Courant d'induit	35		Adc
Vitesse de base (VB)	1750		rpm
Vitesse maximale (VM)	2300		rpm
Champ électrique	300		Vdc
Courant inducteur @ VB	1.35		Adc
Courant inducteur @ VM	0.8		Adc
Dispositif d'asservissement :			
Tachymètre DC	60		V/1000
Codeur	1024		PPR
Tension du codeur	5 - 24		Vdc

4.3 Vérifications finales AVANT la mise sous tension

- Revérifiez tous les câblages, en particulier la mise à la masse du châssis du variateur.
- Utilisez un multimètre pour contrôler les bornes **L1, L2, L3, F+, F-, A+ et A-** à la recherche d'éventuels courts-circuits à la masse. Toutes les valeurs relevées doivent être supérieures à 1 MΩ.
Si l'une des résistances est inférieure à 1 MΩ, alors effectuez les corrections nécessaires avant de mettre sous tension.

4.4 Vérifications de mise sous tension



Il est essentiel que les étapes suivantes soient effectuées comme indiquées et dans l'ordre donné. Appliquez une alimentation de commande entre 110 et 240 V AC aux bornes T53 (L) et T52 (N).

4.4.1 Calibration du variateur par rapport au moteur

Appuyez sur les boutons selon la séquence indiquée pour régler les valeurs relevées en section 4.2 :

Remarque : Lorsque « U/D » s'affiche, utilisez les boutons Haut (H) et Bas (B) pour modifier les valeurs.

1.	Courant d'induit nominal	D-D-H-D-D-H/B	2) RATED ARM AMPS 35.0 AMPS
2.	Courant inducteur nominal	G-B-B-D-H/B	4) RATED FIELD AMPS 1.35 AMPS
3.	Vitesse de base nominale	G-B-D-H/B	5) BASE RATED RPM 1750 RPM
4.	Vitesse maximale désirée	G-B-D-H/B	6) DESIRED MAX RPM 1750 RPM

Remarque : La vitesse de base est la même que la vitesse maximale à moins qu'un affaiblissement de champ ne soit utilisé pour augmenter la plage de vitesse (section 4.11).



Mettez toujours en service le variateur en utilisant la tension de l'induit comme source pour la vitesse du système d'asservissement, même si le moteur est équipé d'un tachymètre DC ou d'un codeur, car cela permet de vérifier la polarité de l'asservissement. Ce montage garantit que le moteur ne s'emballera pas.

5.	Tension d'induit nominale	G-9xB-D-H/B	18) RATED ARM VOLTS 500 VOLTS
6.	Tension d'alimentation	G-B-D-H/B	19) EL1/2/3 RATED AC 460.0 VOLTS

FR

Vérifiez que les points suivants n'ont pas été modifiés par rapport à leurs valeurs par défaut paramétrées en usine. Si nécessaire, corrigez les valeurs en saisissant celles indiquées ci-dessous :

7. Sélection moteur 1/2 **G-B-D-H/B**

20) MOTOR 1/2 SELECT
MOTOR 1

8. Type d'asservissement de la vitesse **G-8xH-D-H/B**
Puis **4xG**

9) SPEED FBK TYPE
ARMATURE VOLTS

4.4.2 Calibration du système d'asservissement

Si vous ne disposez ni d'un tachymètre ni d'un codeur, alors ignorez cette section. Sauvegardez les paramètres (section 3.1.2).

1. Tachymètre DC

Pour un tachymètre, calibrez tout d'abord le variateur sur la tension DC attendue pour la vitesse de base :

Tension de base du tachymètre = (Vitesse de base/1000) x Tension Tachy pour 1000 tr/min



La tension du tachymètre ne doit pas dépasser 200 V DC

D-D-H-D-6xB-D-H/B

Puis **4xG**

8) MAX TACHO VOLTS
87.50 VOLTS

2. Codeur
IPR

Si le codeur est de type « en quadrature », alors activez le paramètre 10 comme indiqué ci-dessous. Pour un codeur de type « train d'impulsion et direction » désactivez ce paramètre. Dans les deux cas, paramétrez le nombre de phases

Remarque : Pour les modèles PL uniquement : il est possible de fonctionner également avec un codeur de type « impulsion uniquement » (sans signal de direction).

D-D-H-D-8xB-D-D-H/B

10) QUADRATURE ENABLE
ENABLED

G-B-D-H/B

Puis **4xG**

11) ENCODER LINES
1024

4.5 Mise sous tension avec l'alimentation triphasée

4.5.1 Vérification des bornes de commande

Les vérifications suivantes garantissent que le contacteur du variateur est correctement séquencé avant la mise sous tension avec l'alimentation triphasée.

Remarque : À l'écran, la valeur située sous les lettres TRJSC indique l'état réel de la borne d'entrée de commande.

Lettre	Borne	Fonction
T	30	THM
R	31	RUN
J	32	JOG
S	33	START
C	34	CSTOP

À partir des Écrans de diagnostic, allez à Diagnostics CIP comme suit :

D-B-D-4xB-D-B-B-D

164) DOP 123TRJSC CIP
10100000

Laissez le contact **CSTOP** de votre câblage de commande ouvert (un **0** est affiché sous le C) et fermez les autres contacts de commande. Vérifiez que le caractère présent sous la lettre correspondante change lorsque vous modifiez l'état du contact.

Remarque : En général **1 = ON** et **0 = OFF** (cependant, pour la thermistance T, **0 = Ok** alors que **1 = Surchauffe du moteur**).

Lorsque vous êtes satisfait du fonctionnement des entrées de commande **T**, **R** et **S**, laissez **R** et **S** sur **OFF** et vérifiez que l'entrée de commande C fonctionne correctement.

4.5.2 Mise sous tension

Maintenant, mettez sous tension avec l'alimentation triphasée.

4.6 Ajustage automatique du PL/X

Avant de démarrer le moteur, la boucle de courant du variateur doit être ajustée au moteur (paramètres 93, 94 et 95).

1. Mettez RUN et CSTOP en position haute mais gardez START en position basse. Les entrées des commandes doivent correspondre au TRJSC ci-dessous :

Toujours de la section 4.5.1

Puis **4xG**

164) DOP 123TRJSC CIP
10101001

2. Activez le mode d'ajustage automatique

D-D-6xB-D-7xB-D-H

Puis **4xG**

92) AUTOTUNE ENABLE
ENABLED

3. Démarrez le variateur en mettant l'entrée Start sous tension (T33) **D-B-D-4xB-D-B-B-D**
Puis **4xG** 164) DOP 123TRJSC CIP
10101011
4. Le contacteur se ferme et le système effectue un ajustement automatique (durée entre 10 et 60 secondes). Lorsque l'ajustement automatique est achevé, le contacteur du variateur s'ouvre.
Coupez l'alimentation de l'entrée Start (T33).
5. Sauvegardez les paramètres. Référez-vous à la section 3.1.2.

4.7 Vérifications de la rotation du moteur



Déconnectez le moteur de la boîte de vitesse et de la machine avant d'effectuer ces vérifications de fonctionnement.

1. Réduisez la limite de courant.
Comme précaution supplémentaire, restreignez le courant disponible pour le variateur en réduisant la limite de courant à une valeur juste suffisante pour faire tourner le moteur (en général 5 à 10 %).

D-D-H-D-B-D

3) CURRENT LIMIT (%)
5.00 %

2. Vérifiez le fonctionnement du potentiomètre de réglage de la vitesse. Surveillez la rampe d'entrée pour vérifier le fonctionnement du potentiomètre de réglage de la vitesse. Maintenez la référence à zéro après avoir vérifié le bon fonctionnement.

G-G-B-D-5xB-D

Puis **4xG**

26) RAMP INPUT
75.14 %

3. Démarrez le variateur.
Mettez l'entrée Start sous tension (T33) pour démarrer le variateur. Vérifiez la tension du champ électrique sur les bornes F+ et F-. Lorsque le moteur est froid, vous devez mesurer une valeur plus faible que la tension nominale du champ.
4. Confirmez que le courant inducteur correspond à celui indiqué sur la plaque signalétique.

D-B-D-B-B-D-B-B-D

Puis **4xG**

145) FLD CUR AMPS MON
1.35 AMPS

5. Augmentez le réglage du potentiomètre jusqu'à ce que le moteur tourne doucement.
Vérifiez la rotation du moteur. S'il tourne à l'envers, arrêtez-le, coupez TOUTES les alimentations du variateur et échangez les fils du courant inducteur (F+ et F-). Procédez à une nouvelle vérification après avoir effectué les changements.

- Augmentez doucement le régime du moteur jusqu'à atteindre sa vitesse maximale. Surveillez les tensions sur les bornes A+ et A- pendant la montée en régime du moteur.

D-B-D-D-3xB-D

126) ARM VOLTS MON
500.0 VOLTS

4.8 Système d'asservissement

Si vous ne disposez ni d'un tachymètre ni d'un codeur, alors ignorez cette section et passez à la section 4.10.

Si vous utilisez un tachymètre ou un codeur :

- Assurez-vous que la référence de vitesse est positive (+).

3xH

123) TOTAL SPD REF MN
26.50 %

- Vérifiez le signe du système d'asservissement comme suit :

Tachymètre DC :

6xB

Puis **4xG**

129) TACHO VOLTS MON
23.19 VOLTS

Si la valeur est positive (+), alors passez à l'étape 4.9.
Si la valeur est négative (-), alors arrêtez le système, coupez l'alimentation du variateur puis échangez les fils du tachymètre des bornes T25 et T26 et procédez à une nouvelle vérification.

Ou Codeur:

2xH

Puis **4xG**

132) ENCODER RPM MON
464 RPM

Si la valeur est positive (+), alors passez à l'étape 4.9. Si la valeur est négative (-), alors arrêtez le système, coupez l'alimentation du variateur puis échangez les fils du codeur des bornes T16 et T17 et procédez à une nouvelle vérification.

D-D-H-D-8xB-D-3xB-D-B

Puis **5xG**

13) ENCODER SIGN
INVERT

4.9 Modification du type de système d'asservissement

- Arrêtez le variateur et sélectionnez le système d'asservissement approprié comme suit :

Tachymètre DC : **D-D-H-D-7xB-D-H**
Puis **4xG**

9) SPEED FBK TYPE
ANALOG TACHO

Codeur : **D-D-H-D-7xB-D-2xH**
Puis **4xG**

9) SPEED FBK TYPE
ENCODER

- Démarrez le variateur, assurez-vous que la vitesse maximale peut être atteinte et que la tension de l'induit ne dépasse pas celle indiquée sur la plaque signalétique.

4.10 Augmentation de la limite de courant pour atteindre la valeur nominale

- Ramenez la limite de courant à 150 %. **D-D-H-D-B-D-H**
Puis **4xG**

3) CURRENT LIMIT (%)
150.00 %

- Sauvegardez les paramètres (section 3.1.2).

4.11 Paramétrage de l'affaiblissement du champ

Lorsque vous utilisez un asservissement soit par tachymètre soit par codeur, l'affaiblissement du champ peut être activé pour un moteur qui est compatible avec une plage de vitesse étendue.

- Arrêtez le variateur et activez le mode d'affaiblissement du champ.

D-D-7xB-D-4xB-D-D-H

103) FLD WEAK ENABLE
ENABLED

- Réglez le % minimum de courant inducteur sur une valeur légèrement inférieure au % de courant inducteur attendu

% Champ Min = (Ifm + Ifb) x 90

G-7xB-D-H/B
Puis **5xG**

110) MIN FLD CURRENT
53.33 %

- Augmentez graduellement le régime du moteur jusqu'au maximum, en prenant garde à ne pas dépasser la tension nominale de l'induit ou la vitesse maximale mentionnées sur la plaque signalétique du moteur.
- Sauvegardez les paramètres (section 3.1.2).

Le variateur DC du PL/X est désormais correctement mis en service.

1 Introduzione

La presente Guida rapida è stata redatta a integrazione del Manuale del prodotto PL/X, allo scopo di agevolare le operazioni di configurazione e utilizzo iniziale dell'unità PL/X quale controller di velocità di base, garantendo un funzionamento sicuro ed efficiente.

Per qualsiasi altra applicazione, consultare i Manuali del prodotto PL/X.

2 Avvertenze importanti per la sicurezza

Le unità e i sistemi di controllo dei processi contribuiscono in modo determinante al miglioramento della qualità e del valore dei prodotti, ma devono essere progettati, installati e utilizzati con cura per garantire la sicurezza delle persone. È pertanto essenziale leggere attentamente tutte le avvertenze di sicurezza riportate in questa sezione.



Rischio di scosse elettriche! I dispositivi elettrici rappresentano un rischio per la sicurezza. È responsabilità dell'utente assicurare la conformità a tutte le leggi e le normative vigenti in materia.



L'utilizzo di PL/X è riservato esclusivamente agli utenti che:

- sono qualificati e dotati delle conoscenze e capacità necessarie per un utilizzo sicuro,
- comprendono a fondo il funzionamento della macchina sulla quale PL/X è installato,
- hanno letto e compreso il presente documento e
- sono informati sugli standard di cablaggio elettrico e di sicurezza.



Avvalersi esclusivamente di personale qualificato per progettare, realizzare, utilizzare ed eseguire la manutenzione dei sistemi.



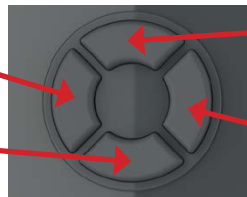
Verificare che tutto il personale preposto all'utilizzo o alla manutenzione dell'apparecchiatura sia a conoscenza di qualsiasi rischio associato a quest'ultima e ai relativi processi.



In caso di dubbi sulla sicurezza del proprio sistema o processo, non continuare se non dopo aver consultato un esperto.

3 Navigazione dei menu

Pulsante Sinistra - S



Pulsante Alto - A

Pulsante Basso - B

Pulsante Destra - D

Figura 3-1: pulsante di navigazione

Utilizzare i pulsanti sul lato anteriore di PL/X per navigare nei menu di configurazione. Nella presente Guida rapida, le sequenze dei pulsanti sono elencate accanto al display che viene visualizzato se i pulsanti sono premuti correttamente.

Abbreviazioni dei pulsanti:

S Premere una volta il pulsante **Sinistra**

D Premere una volta il pulsante **Destra**

A Premere una volta il pulsante **Alto**

B Premere una volta il pulsante **Basso**

A/B Premere il pulsante **Alto** per aumentare il valore.
Premere il pulsante **Basso** per ridurre il valore.

Nx Premere il pulsante appropriato N volte. Ciò riguarda tutti i pulsanti. N specifica il numero di volte in cui premere il pulsante, ad es. per **5xS**, premere il pulsante **Sinistra** 5 volte.

3.1.1 Schermate di riepilogo della diagnostica

Le schermate di riepilogo della diagnostica vengono visualizzate all'accensione.

SPD%	Iarm	Ifld	RJSC		SRef	Ilim	-Ilim	Mode
0	0	0	0000		0	150	-150	STOP

Nota: quando il display visualizza il livello di menu più elevato, alterna i riepiloghi della diagnostica approssimativamente ogni 5 secondi.

Premere il pulsante Sinistra almeno 5 volte (**5xS**) per tornare a queste schermate da qualsiasi livello di menu.

3.1.2 Salvataggio dei parametri

Per salvare le impostazioni in qualsiasi momento, accedere prima alle schermate della diagnostica (sezione 3.1.1), quindi premere il pulsante **Destra (D)**, il pulsante **Alto (A)** e il pulsante **Destra (D)** per visualizzare la schermata Parameter Save (Salvataggio parametri). Questa sequenza viene visualizzata come **D-A-D**:

D-A-D

PARAMETER SAVE	2
UP KEY TO CONTINUE	

Premere il pulsante Alto (**A**) per continuare.

Al termine del salvataggio, premere due volte il pulsante Sinistra (**2xS**).

4 Installazione

4.1 Collegamento dell'unità



Prima di iniziare a collegare l'unità, assicurarsi che l'alimentazione sia disattivata.



Verificare che i cavi di alimentazione e controllo siano installati in condotti/canaline separati e che i cablaggi soddisfino tutte le normative elettriche locali e nazionali applicabili.



Verificare che le tensioni sui morsetti EL1/EL2/EL3 siano in fase con le tensioni su L1/L2/L3.



Per un funzionamento affidabile, PL/X deve controllare il contattore principale attraverso i morsetti CON1 e CON2.



Gli azionamenti di potenza 185kW o superiore (taglia 3, 4 e 5) richiedono un'alimentazione esterna per la ventola del dissipatore di calore

Per collegare l'unità, fare riferimento ai diagrammi seguenti.

4.1.1 Telaio 1

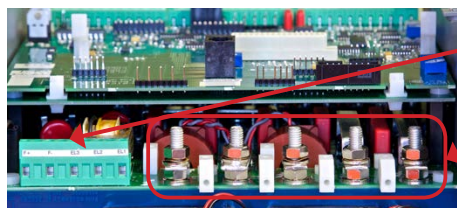


Figura 4-1: morsetti superiori - Telaio 1

Morsetti di alimentazione del campo (F+ e F-) ed EL1, EL2, EL3

Collegamenti della barra colletttrice per l'alimentazione c.a. di ingresso (L1, L2, L3) e l'armatura (A+ e A-)

Nota: questi morsetti sono comuni per tutti i modelli PL/X.

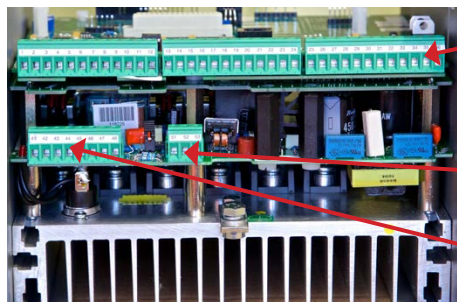


Figura 4-2: morsetti inferiori - Telaio 1

Morsetti di controllo 1 - 36

Nota: questi morsetti sono comuni per tutti i modelli PL/X.

Alimentazione di controllo (L, N, E):
Morsetti 51 (E), 52 (N) e 53 (L)

Morsetti 41 - 48 per il controllo del contattore e il rilevamento remoto dell'armatura

4.1.2 Telaio 2

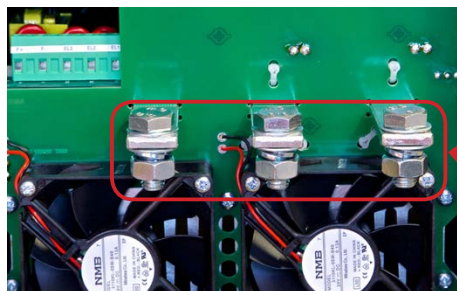


Figura 4-3: morsetti superiori - Telaio 2

Nota: i morsetti di alimentazione del campo (F+ e F-) ed EL1, EL2, EL3 sono gli stessi del Telaio 1.

Barre colletttrici c.a. di ingresso (L1, L2, L3)

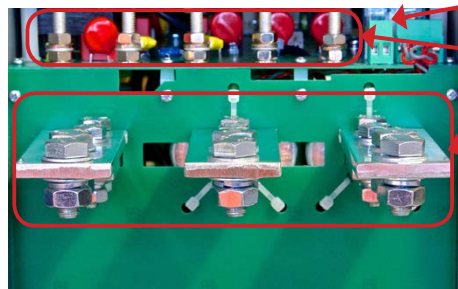
Nota: i collegamenti dell'armatura del motore (A+, A-) si trovano nella parte inferiore dell'unità (Figura 4 4).



- Morsetti di controllo 1 - 36
- Morsetti 41 - 48 per il controllo del contattore e il rilevamento remoto dell'armatura
- Alimentazione di controllo (L, N, E): Morsetti 51 (E), 52 (N) e 53 (L)
- Morsetti dell'armatura (A+ e A-)
- Messa a terra

Figura 4-4: morsetti inferiori - Telaio 2

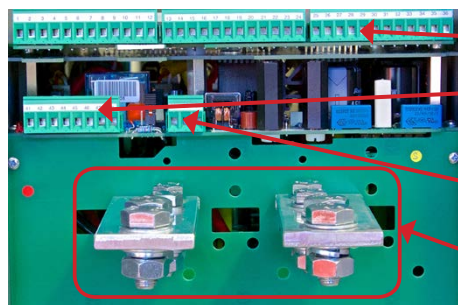
4.1.3 Telaio 3



- Alimentazione ventilatore esterno (B1, B2) 110Vca
- Morsetti di alimentazione del campo (F+ e F-) ed EL1, EL2, EL3
- Barre collettrici c.a. di ingresso (L1, L2, L3)

Nota: i collegamenti dell'armatura del motore (A+, A-) si trovano nella parte inferiore dell'unità (Figura 4 6).

Figura 4-5: morsetti superiori - Telaio 3



- Morsetti di controllo 1 - 36
- Morsetti 41 - 48 per il controllo del contattore e il rilevamento remoto dell'armatura
- Alimentazione di controllo (L, N, E): Morsetti 51 (E), 52 (N) e 53 (L)
- Morsetti dell'armatura (A+ e A-)

Figura 4-6: morsetti inferiori - Telaio 3

4.1.4 Telaio 4

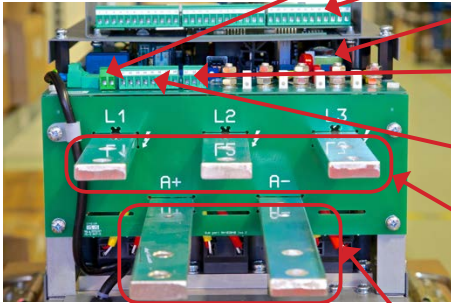


Figura 4-7:
morsetti inferiori - Telaio 4

Alimentazione ventilatore esterno (B1, B2) 240Vca

Morsetti di controllo 1 - 36

Morsetti di alimentazione EL1, EL2, EL3 e del campo (F+ e F-)

Alimentazione di controllo (L, N, E): morsetti 51 (E), 52 (N) e 53 (L)

Morsetti 41 - 48 per il controllo del contattore e il rilevamento remoto dell'armatura

Collegamenti della barra colletttrice per l'alimentazione c.a. di ingresso (L1, L2, L3)

Nota: L1, L2, L3 possono essere posizionati nella parte superiore o inferiore dell'unità, in base ai requisiti di acquisto originali.

Morsetti dell'armatura (A+ e A-)

4.1.5 Telaio 5

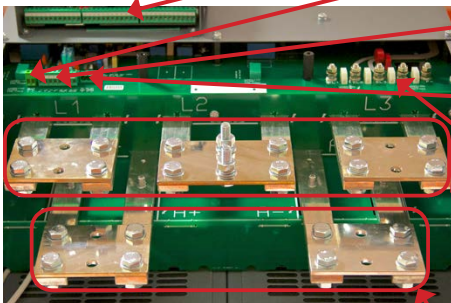


Figura 4-8:
morsetti inferiori - Telaio 5

Morsetti di controllo 1 - 36

Alimentazione ventilatore esterno (B1, B2) 240Vca

Morsetti 41 - 48 per il controllo del contattore e il rilevamento remoto dell'armatura

Alimentazione di controllo (L, N, E): morsetti 51 (E), 52 (N) e 53 (L)

Morsetti di alimentazione EL1, EL2, EL3 e del campo (F+ e F-)

Collegamenti della barra colletttrice per l'alimentazione c.a. di ingresso (L1, L2, L3)

Nota: L1, L2, L3 possono essere posizionati nella parte superiore o inferiore dell'unità, in base ai requisiti di acquisto originali.

Armature (A+ and A-) terminals



4.1.6 Schemi di cablaggio

Alimentazione

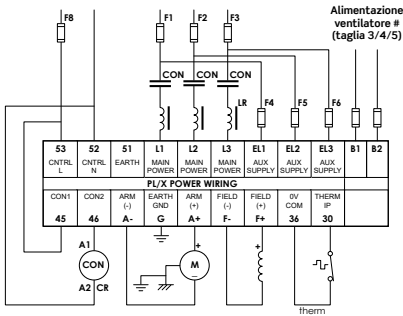


Figura 4-9: schema dei cablaggi di alimentazione

Controllo

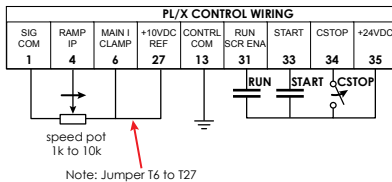


Figura 4-10: schema dei cablaggi di controllo

4.1.7 Funzioni dei morsetti di controllo

Nota: tutti i contatti sono a posizione mantenuta.

CSTOP Coast Stop (Deriva ad arresto)

Questo contatto deve essere chiuso prima di tutti gli altri segnali di controllo per un sequenziamento corretto.

Quando è aperto, l'unità si arresta immediatamente, generando una corrente di armatura e il contattore viene escluso. La velocità del motore si riduce fino all'arresto.

RUN Run (Esecuzione)

Inibizione elettronica per tutte le modalità operative. Nella maggior parte delle applicazioni, il collegamento può essere effettuato con il morsetto T35 tramite un ponticello. Preferibilmente, si può utilizzare un contatto ausiliario normalmente aperto sul contattore principale.

Quando il contatto è chiuso, l'unità può generare corrente. Se è aperto, l'armatura non produce corrente.

Nota: per le specifiche dei fusibili consultare il Manuale del prodotto.

I morsetti di ingresso dell'alimentazione si trovano nella parte superiore di PL/X*, mentre i morsetti di uscita dell'alimentazione sono situati nella parte inferiore di PL/X (tranne per il modello Telaio 1).

Nota: se il motore non comprende un termistore, cortocircuitare fra loro i morsetti 30 e 36.

*I morsetti di ingresso dell'alimentazione si trovano nella parte superiore o nella parte inferiore per il modello Telaio 4 & 5.

I modelli di taglia 3 richiedono un'alimentazione a 110Vca per la ventilazione, i modelli di taglia 4 e 5 richiedono alimentazione a 240Vca per la ventilazione

I morsetti di controllo sono posizionati nella parte inferiore di PL/X.

START Start (Avvio)

Quando il contatto è chiuso, interviene il contattore dell'unità e il motore funziona secondo l'impostazione di velocità del potenziometro.

Quando è aperto, l'unità torna a zero e il contattore si apre, dopo un intervallo di ritardo (l'impostazione predefinita è 2 sec.).

Nota: in base alla programmazione del produttore, dopo la rimozione dell'ingresso START (Avvio), la corrente di campo del motore rimane presente fino al termine del ritardo di attenuazione del campo (l'impostazione predefinita è 2 sec.).

4.1.8 Dispositivi di retroazione opzionali

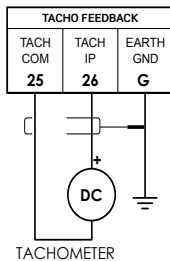
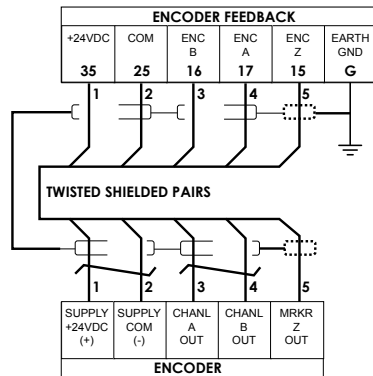


Figura 4-11: tachimetro c.c.



Note: MARKER Z Optional (Wire No. 5)

Figura 4-12: encoder

4.2 Registrazione dei dati di alimentazione e del motore

Misurare la tensione di alimentazione e inserirla di seguito.

Prendere nota di tutti gli altri parametri dalle targhette del motore e del dispositivo di retroazione.

Descrizione	Valore tipico	Valore effettivo	Unità
Tensione di alimentazione	480		V c.a.
Volt dell'armatura	500		V c.c.
Corrente dell'armatura	35		A c.c.
Velocità di base	1750		giri/min.
Velocità massima	2300		giri/min.
Volt del campo	300		V c.c.
Corrente di campo a BS	1.35		A c.c.
Corrente di campo a MS	0.8		A c.c.
Dispositivo di rilevamento:			
Tachimetro c.c.	60		V/1000

Descrizione	Valore tipico	Valore effettivo	Unità
Encoder	1024		PPR
Volt encoder	5 - 24		V c.c.

4.3 Verifiche finali PRIMA di applicare l'alimentazione

- Verificare di nuovo tutti i cablaggi e in particolare la messa a terra del telaio dell'unità.
- Avvalendosi di un multimetro, verificare la presenza di cortocircuiti a terra dei morsetti **L1, L2, L3, F+, F-, A+ e A-**. Tutte le letture devono essere superiori a 1 MΩ.

Se si rilevano resistenze inferiori a 1 MΩ, correggerle prima di applicare l'alimentazione.

4.4 Verifiche all'accensione



È necessario effettuare i passaggi seguenti attenendosi fedelmente a queste istruzioni e rispettando la sequenza corretta.

Applicare l'alimentazione di controllo da 110 - 240 V c.a. al morsetto T53 (Linea) e T52 (Neutro).

4.4.1 Taratura dell'unità in riferimento al motore

Premere i pulsanti nella sequenza specificata per impostare i valori registrati nella sezione 4.2:

Nota: quando viene mostrato A/B, utilizzare i pulsanti Alto e Basso per modificare i valori.

1.	Corrente nominale dell'armatura	D-D-A-D-D-A/B	2) RATED ARM AMPS 35.0 AMPS
2.	Corrente nominale del campo	S-B-B-D-A/B	4) RATED FIELD AMPS 1.35 AMPS
3.	Velocità nominale di base	S-B-D-A/B	5) BASE RATED RPM 1750 RPM
4.	Velocità massima richiesta	S-B-D-A/B	6) DESIRED MAX RPM 1750 RPM

Nota: la velocità di base corrisponde alla velocità massima, tranne se si utilizza l'attenuazione del campo per estendere l'intervallo di velocità (sezione 4.11).



Predisporre sempre l'unità con la tensione dell'armatura come fonte di retroazione della velocità, anche se il motore integra un tachimetro c.c. o un encoder, poiché in questo modo è possibile verificare la polarità di retroazione. Ciò assicura che il motore non sfugga al controllo.

5.	Volt nominali dell'armatura	S-9xB-D-A/B	18) RATED ARM VOLTS 500 VOLTS
----	-----------------------------	--------------------	----------------------------------

6. Tensione di alimentazione **S-B-D-A/B**

19) EL1/2/3 RATED AC
460.0 VOLTS

Verificare che le impostazioni seguenti non siano state modificate rispetto a quelle predefinite dal produttore. Se necessario, correggere le selezioni con i valori elencati di seguito:

7. Selezione motore 1/2 **S-B-D-A/B**

20) MOTOR 1/2 SELECT
MOTOR 1

8. Tipo di retroazione della velocità **S-8xA-D-A/B**
Quindi **4xS**

9) SPEED FBK TYPE
ARMATURE VOLTS

4.4.2 Taratura della retroazione

Se non è disponibile un tachimetro c.c. o un encoder, ignorare questa sezione. Salvare i parametri (sezione 3.1.2).

1. Tachimetro c.c.

Per un tachimetro, tarare inizialmente l'unità in riferimento alla tensione c.c. prevista alla velocità di base:

Tensione base tachimetro = (velocità base/1000) x Volt tachimetro per 1000 giri/min.



La tensione del tachimetro non deve superare 200 V c.c.

D-D-A-D-6xB-D-A/B

Quindi **4xS**

8) MAX TACHO VOLTS
87.50 VOLTS

2. Encoder
PPR

Se l'encoder è di tipo a quadratura, abilitare il parametro 10 come indicato di seguito. Per un encoder di tipo a impulsi e direzione, disabilitare il parametro. In entrambi i casi, impostare il numero di fasi.

Nota: esclusivamente nei modelli PL è inoltre possibile utilizzare encoder solo a impulsi (senza segnale di direzione).

D-D-A-D-8xB-D-D-A/B

10) QUADRATURE ENABLE
ENABLED

S-B-D-A/B

Quindi **4xS**

11) ENCODER LINES
1024

4.5 Applicare l'alimentazione principale trifase

4.5.1 Verificare i morsetti di controllo

Le verifiche successive assicurano che per il contattore dell'unità sia stata impostata la sequenza corretta, prima di applicare l'alimentazione trifase.

Nota: il valore sotto le lettere TRJSC nel display indica lo stato effettivo del morsetto di ingresso di controllo.

Lettera	Morsetto	Funzione
T	30	THM
R	31	RUN
J	32	JOG
S	33	START
C	34	CSTOP

Nelle schermate della diagnostica, passare alla diagnostica CIP, come segue:

D-B-D-4xB-D-B-B-D

164) DOP 123TRJSC CIP
10100000

Lasciare aperto il contatto **CSTOP** (Deriva ad arresto) del cablaggio di controllo (sotto la C viene visualizzato uno **0**) e chiudere gli altri contatti di controllo. Verificare che la cifra sotto la lettera appropriata cambi mentre si apre e si chiude il contatto.

Nota: in genere **1 = ON** e **0 = OFF** (tuttavia, per il termistore T, **0 = 0k** mentre **1 = Motor Overtemp** (Surriscaldamento del motore)).

Quando si è soddisfatti del funzionamento degli ingressi di controllo **T, R e S**, lasciare **R e S** impostati su **OFF** e verificare che l'ingresso di controllo **C** funzioni correttamente.

4.5.2 Applicazione dell'alimentazione

Ora applicare l'alimentazione principale trifase.

4.6 Sintonizzazione automatica di PL/X

Prima di avviare il motore, è necessario sintonizzare il loop attuale dell'unità con il motore (parametri 93, 94 e 95).

1. Impostare RUN (Esecuzione) e CSTOP (Deriva ad arresto) su valori elevati ma mantenere START (Avvio) su un valore basso. Gli ingressi di controllo devono corrispondere a TRJSC di seguito:

**Sempre dalla sezione
4.5.1**

Quindi **4xS**

164) DOP 123TRJSC CIP
10101001

2. Abilitare la modalità di sintonizzazione automatica **D-D-6xB-D-7xB-D-A**
Quindi **4xS**

92) AUTOTUNE ENABLE
ENABLED
3. Avviare l'unità alimentando l'ingresso Start (Avvio) (T33) **D-B-D-4xB-D-B-B-D**
Quindi **4xS**

164) DOP 123TRJSC CIP
10101011
4. Il contattore si chiude e viene eseguita la sintonizzazione automatica (richiede da 10 a 60 secondi). Al termine, il contattore dell'unità si apre. Disattivare l'ingresso Start (Avvio) (T33).
5. Salvare i parametri. Consultare la sezione 3.1.2.

4.7 Verifiche rotazionali del motore



Scollegare il motore dal cambio e dalla macchina prima di avviare queste verifiche a motore acceso.

1. Ridurre il limite di corrente.
Quale precauzione aggiuntiva, ridurre la corrente disponibile per l'unità abbassando il Limite di corrente a un valore appena sufficiente ad avviare il motore (solitamente dal 5 al 10%).

D-D-A-D-B-D

3) CURRENT LIMIT (%)
5.00 %

2. Verificare il funzionamento del potenziometro di velocità. A tale scopo, monitorare l'ingresso Ramp (Rampa). Dopo aver verificato il funzionamento corretto, lasciare il riferimento a zero.

S-S-B-D-5xB-D

Quindi **4xS**

26) RAMP INPUT
75.14 %

3. Avviare l'unità.
Alimentare l'ingresso Start (Avvio) (T33) per avviare l'unità. Verificare la tensione del campo sui morsetti F+ e F-. A motore freddo, verrà misurata una tensione inferiore a quella nominale del campo.
4. Verificare che la corrente di campo corrisponda ai dati della targhetta.

D-B-D-B-B-D-B-B-D

Quindi **4xS**

145) FLD CUR AMPS MON
1.35 AMPS

5. Aumentare l'impostazione del potenziometro finché il motore non gira lentamente. Verificare la rotazione del motore. Se il motore gira in senso inverso, arrestarlo, disattivare **TUTTA** l'alimentazione all'unità e scambiare i conduttori del campo (**F+** e **F-**). Dopo aver apportato queste modifiche, ripetere la verifica.
6. Portare lentamente il motore a piena velocità. Verificare la tensione sui morsetti A+ e A- mentre il motore raggiunge lentamente la velocità massima.

D-B-D-D-3xB-D126) ARM VOLTS MON
500.0 VOLTS**4.8 Retroazione**

Se non è disponibile un tachimetro c.c. o un encoder, ignorare questa sezione e passare alla sezione 4.10.

Se si utilizza un tachimetro o un encoder:

1. Assicurarsi che il riferimento alla velocità sia positivo (+).

3xA123) TOTAL SPD REF MN
26.50 %

2. Verificare il segno della retroazione come segue:

Tachimetro c.c.:

6xBQuindi **4xS**129) TACHO VOLTS MON
23.19 VOLTS

Se è positivo (+), passare alla fase 4.9. Se è negativo (-), arrestare l'unità e disattivarne l'alimentazione, quindi scambiare gli elettrodi del tachimetro su T25 e T26 e ripetere la verifica.

O Encoder:

2xAQuindi **4xS**132) ENCODER RPM MON
464 RPM

Se è positivo (+), passare alla fase 4.9. Se è negativo (-), arrestare l'unità e disattivarne l'alimentazione, quindi scambiare gli elettrodi del encoder su T16 e T17 e ripetere la verifica.

D-D-A-D-8xB-D-3xB-D-BQuindi **5xS**13) ENCODER SIGN
INVERT

4.9 Commutazione del tipo di retroazione

1. Arrestare l'unità e selezionare la retroazione appropriata come segue:

Tachimetro c.c.:

D-D-A-D-7xB-D-AQuindi **4xS**9) SPEED FBK TYPE
ANALOG TACHO

Encoder:

D-D-A-D-7xB-D-2xAQuindi **4xS**9) SPEED FBK TYPE
ENCODER

2. Avviare l'unità e assicurarsi che sia possibile ottenere la velocità massima. Verificare inoltre che la tensione dell'armatura non superi quella riportata sulla targhetta corrispondente

4.10 Aumento del limite di corrente al valore nominale

1. Riportare il Limite della corrente al 150%.

D-D-A-D-B-D-AQuindi **4xS**3) CURRENT LIMIT (%)
150.00 %

2. Salvare i parametri (sezione 3.1.2).

4.11 Impostazione dell'attenuazione di campo

Quando si utilizza la retroazione mediante tachimetro o encoder, potrebbe essere abilitata l'attenuazione di campo per i motori che supportano un intervallo di velocità esteso.

1. Arrestare l'unità e abilitare la modalità di attenuazione di campo.

D-D-7xB-D-4xB-D-D-A103) FLD WEAK ENABLE
ENABLED

2. Impostare il valore % minimo della corrente di campo in modo che risulti lievemente inferiore a quello previsto.

% campo min. = (Ifm + Ifb) x 90**S-7xB-D-A/B**Quindi **5xS**110) MIN FLD CURRENT
53.33 %

3. Aumentare gradualmente la velocità del motore fino al massimo consentito, assicurandosi di non superare la tensione nominale dell'armatura o il valore di velocità massimo riportato sulla targhetta del motore.

4. Salvare i parametri (sezione 3.1.2).

Ora l'unità c.c. digitale PL/X è predisposta per l'uso.

SPRINT **ELECTRIC**

WORLD CLASS DESIGN

www.sprint-electric.com

Sprint Electric Ltd accepts no liability whatsoever for the installation, fitness for purpose or application of its products. It is the user's responsibility to ensure the unit is correctly rated, used and installed.

The contents of this document are accurate at the time of printing. However, the manufacturers reserve the right to change the content and product specification without notice. No liability is accepted for errors or omissions.

Sprint Electric Ltd no asume responsabilidad alguna por la instalación, idoneidad para la finalidad prevista o aplicación de sus productos. Es responsabilidad del usuario asegurarse de que la unidad esté correctamente parametrada, utilizada e instalada.

El contenido de este documento se considera exacto en el momento de la impresión. Sin embargo, los fabricantes se reservan el derecho de modificar el contenido y las especificaciones del producto sin previo aviso. No se acepta responsabilidad alguna por errores u omisiones.

Sprint Electric Ltd non si assume alcuna responsabilità per l'installazione, l'idoneità allo scopo o l'applicazione dei propri prodotti. È esclusiva responsabilità dell'utente assicurarsi che l'unità venga installata, configurata e utilizzata correttamente.

I contenuti della presente pubblicazione sono attendibili al momento della stampa. Tuttavia, il produttore si riserva il diritto di modificare i contenuti e le specifiche del prodotto senza preavviso. Si esclude qualsiasi responsabilità per errori od omissioni.

Sprint Electric Ltd übernimmt keinerlei Haftung für die Installation, Gebrauchstauglichkeit oder Verwendung seiner Produkte. Die richtige Auslegung, Verwendung und Installation liegen in der Verantwortung des Benutzers.

Die Angaben in diesem Dokument entsprechen dem Zeitpunkt der Drucklegung. Die Hersteller behalten sich jedoch das Recht vor, die Inhalte und technischen Daten ohne vorherige Ankündigung zu ändern. Für Fehler oder Unvollständigkeiten wird keine Haftung übernommen.

Sprint Electric Ltd n'assume aucune responsabilité quelle qu'elle soit, quant à l'installation, l'adéquation à un usage ou l'application de ses produits. Il est de la responsabilité de l'utilisateur de s'assurer que l'unité est correctement dimensionnée, utilisée et installée.

Le contenu de ce document est garanti exact au moment de son impression. Cependant, les fabricants se réservent le droit de modifier sans préavis le contenu du document et les spécifications du produit. Aucune responsabilité n'est acceptée en cas d'erreur ou d'omission.

Sprint Electric Ltd.
Peregrine House, Ford Lane
Ford, Arundel, West Sussex
BN18 0DF United Kingdom

Tel: +44 (0) 1243 558080
Fax: +44 (0) 1243 558099
www.sprint-electric.com